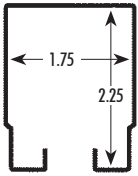


## **TABLE OF CONTENTS**

<b>Square Track &amp; Accessories</b>	<b>Pages 4 - 7</b>
Square Track Options	Page 4
Light Duty Track	Page 4
Square Track Brackets	Page 5
Square Track Accessories	Page 5
Square Track Trolleys	Page 6-7
Offset Bolts	
Front Adjusting	
Drop Straps	
Industrial Use	
Light Duty	
 <b>Round Track &amp; Accessories</b>	 <b>Pages 8 - 11</b>
Round Track Options	Page 8
Round Track End Trims	Page 9
Round Track Brackets & Accessories	Page 9-10
Round Track Trolleys	Page 10-11
Offset Bolts	
Front Adjusting	
Drop Straps	
 <b>Sliding Door Accessories</b>	 <b>Page 12-13</b>
Latches & Snuggers	
Stay Rollers	
Brackets & Stops	
 <b>1 1/2" Aluminum Rail Options</b>	 <b>Page 14</b>
1600 Series	
2200 Series	
 <b>3 1/2" Aluminum Rail Options</b>	 <b>Page 15</b>
3300 Series	
 <b>Bottom Door Guides</b>	 <b>Page 15</b>
<b>Steel Horizontals</b>	<b>Page 15</b>
<b>1 1/2" Sliding Door Installation Overview</b>	<b>Pages 16-17</b>
<b>3 1/2" Sliding Door Installation Overview</b>	<b>Pages 18-19</b>
<b>Square Track Header Profiles</b>	<b>Pages 20-21</b>
<b>Round Track Header Profiles</b>	<b>Pages 22-23</b>
<b>Track Cover Profiles</b>	<b>Pages 24-25</b>
<b>DT01 Double Truck Kit Setup</b>	<b>Page 26</b>
<b>Bottom Rail Profiles</b>	<b>Page 26</b>



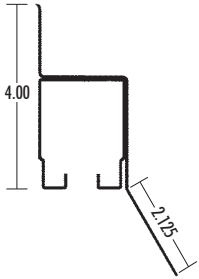
# SQUARE TRACK OPTIONS



### BC301 Square Track

18 ga track for doors up to 450 lbs.  
Used primarily for single or double runs, interior or ceiling mount applications.

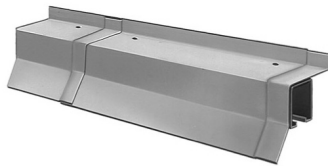
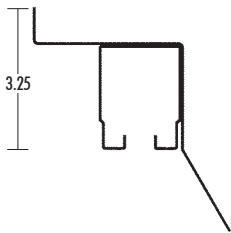
*Available in all even lengths from 6' - 20' & 24'*



### BC311 Square Weatherproof Track

18 ga face mount track for doors up to 450 lbs.  
The 18 gauge galvanized cover is riveted to the track every foot and is used to attach the track flush against the track board

*Available 8', 10', 12', 14', 16' & 20' lengths*

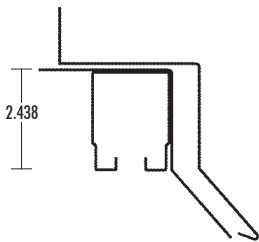


### BC312 Square Weatherproof Track

18 ga top mount track for doors up to 450 lbs.  
The white cover is riveted every foot and extends 1 1/2" back to cover the track board

*Available 8', 10', 12', 14', 16' & 20' lengths*

*Call for availability and pricing on different colors*



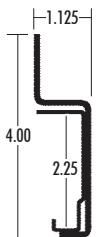
### BC313 Square Track with Brackets

18 ga top mount track for doors up to 450 lbs.  
Galvanized flashing brackets spaced every 2 feet on center  
Flashing brackets are used to support a separate cover

*Available in all even lengths from 6' - 20' & 24'*  
*Refer to pg 24 for track cover profile*

**\*\*Square track can be made in 16 ga material. Please call for availability and pricing\*\***

# LIGHT DUTY TRACK



### BC306 Light-Duty Half Track

For lightweight doors up to 150 lbs.  
Mounting brackets welded to track 2' OC

*Available in lengths 6', 8', 10'*

# SQUARE TRACK BRACKETS

All brackets shown are used with BC301 square track. Bracket spacing is recommended every 24"



**BC1-301S - 103010100**  
Single bracket  
Flush mount interior or exterior application  
*Packaged with lag bolt to fasten to header*



**BC7-301S - 103010700**  
Single bracket for metal building  
*Packaged with (2) lag bolts to fasten to header*



**BC2-301 Left - 103010201**  
**BC2-301 Right - 103010200**  
Single fixed-end bracket  
Flush mount interior or exterior application  
*Packaged with lag bolt to fasten to header*



**BC8-301S - 103010800**  
Double bracket for metal building  
*Packaged with (2) lag bolts to fasten to header*



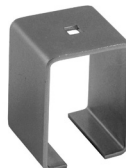
**BC3-301S - 103010300**  
Ceiling bracket  
Includes mounting flange for BC301 track  
*Packaged with (2) lag bolts to fasten to header*



**BC11-301S - 103011100**  
BC8-301 with retainer bracket for track cover  
*Packaged with (2) lag bolts to fasten to header*  
*Refer to pg 24 for track cover profile*



**BC5-301S - 103010500**  
Double bracket  
Flush mount interior or exterior application  
*Packaged with (2) lag bolts to fasten to header*  
*Refer to pg 24 for track cover profile*



**BC13-301S - 103011300**  
Ceiling bracket for bolting, no mounting flange  
*Packaged with 3/4" carriage bolt & heavy hex nut*

# SQUARE TRACK ACCESSORIES



**BC323-1 - 103230100**  
Support Bracket  
Bracket is fastened to track board to support track cover extending beyond the track.  
*Refer to pg 26 for track cover profile*



**PB301EC - 103011500**  
End Cap  
Use with any style square track to close the ends. Just flare the sides slightly and press into place; no fasteners required.



## SQUARE TRACK TROLLEYS - OFFSET BOLTS

Offset bolt trolleys allow for easy horizontal adjustment of door placement. Simply turn offset bolt into desired position and then fix lock washer to steel header.



**R22T7 - 100220007**  
For use on wood/metal doors up to 450 lbs. Ball bearing with 1 1/2" washer and includes 7 1/2" offset bolt  
*Packaged with PB301EC end caps*



**R33T7 - 100330307**  
For use on metal doors up to 450 lbs. Ball bearing and includes 1 1/2" and 1 7/8" washer for thicker metal doors and includes 7 1/2" offset bolt.



**R22T9 - 100220009**  
For use on wood/metal doors up to 450 lbs. Ball bearing with 1 1/2" washer and includes 9" offset bolt  
*Packaged with PB301EC end caps*



**DT01Kit - 100280501**  
Allows you to take a stock trolley and make a double truck trolley doubling the weight capacity, providing smoother door operation. Can be used with square or round trolleys with offset bolt. Kit includes bars and hardware to make 2 double truck trolleys to hang a single door leaf.

## SQUARE TRACK TROLLEYS - FRONT ADJUSTING

Front adjustment trolleys allow for easy horizontal adjustment of door placement. Simply turn horizontal adjustment bolt after door installation with wrench.



**R38T8 - 100380008**  
For use on metal doors up to 450 lbs. Ball bearing with 8" front adjusting bolt for easy adjustments  
*Packaged with PB301EC end caps*



**R38T9 - 100380009**  
For use on metal doors up to 450 lbs. Ball bearing with 9" front adjusting bolt for easy adjustments  
*Packaged with PB301EC end caps*

## SQUARE TRACK TROLLEYS - DROP STRAPS

Drop strap style trolleys are great for installation on wood doors, offering easy vertical & horizontal adjustments.



**R32LB - 100320001**  
For use on wood doors up to 450 lbs. Ball bearing and includes door straps for doors 1 3/4" to 2 3/4" thick  
*Packaged with PB301EC end caps*



**R35S - 100350099**  
For use on wood doors up to 450 lbs. Ball bearing and includes door straps with angled bolt for front adjustments. For doors 1 3/4" to 2 3/4" thick

# SQUARE TRACK TROLLEYS - INDUSTRIAL USE

Industrial use trolleys are ideal for conveyor applications requiring non-flexible coupling and minimal adjustments.



**R23T - 100230001**  
For overhead use in industrial applications up to 150 lbs. Ball bearing with single set of wheels



**R32T - 100320003**  
For overhead use in industrial applications up to 300 lbs. Ball bearing with 2 sets of wheels.  
*Replacement carrier for 32, 35, and 38 Trolleys*



**R41E - 100413010**  
For overhead use in industrial applications up to 300 lbs. Ball bearing with an eyebolt



**R41T - 100413011**  
For overhead use in industrial applications up to 300 lbs. Ball bearing with a straight bolt.



**R30N3S - 100303099**  
For use on wood frame doors up to 700 lbs. Ball bearing and includes door straps for doors 1 3/4" to 2 3/4"  
*3" dia wheel; not for use with 301 track*



**R30N3T - 100303031**  
For use in industrial applications up to 700 lbs. Ball bearing with 3" bolt  
*3" dia wheel; not for use with 301 track*



**R30N4S - 100304099**  
For use on wood frame doors up to 1000 lbs. Ball bearing and includes door straps for doors 2 3/8" to 3 5/8"  
*3" dia wheel; not for use with 301 track*

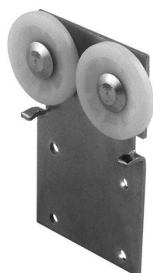


**R30N4T - 100303001**  
For use in industrial applications up to 1000 lbs. Ball bearing with 4" bolt  
*3" dia wheel; not for use with 301 track*

# SQUARE TRACK TROLLEYS - LIGHT DUTY

Light duty trolleys work for lightweight sliding doors weighing up to 150 lbs.

Ideal for sliding doors made from plywood panels.



**PB34S - 100342099**  
Light duty fixed door trolley for doors up to 1 3/4" thick.

**INSTALLATION OF PB34S HANGER**  
**USE WITH 306 OR 301 TRACK**

Single run with 306 track

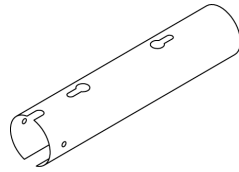
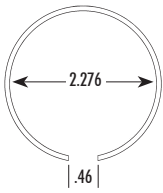
Double run with 301 track

Spacer required for doors over 3/4" thick

PB34S Hangers  
301 Track  
BC1-301 Bracket

- For lightweight sliding doors weighing up to 150 lbs
- Non-flexible coupling; no adjustments
- Each trolley includes: (4) screws for fastening trolley  
(3) lag bolts for fastening track
- Allows install of bypassing door w/ single run of 301 track

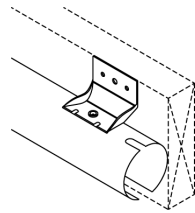
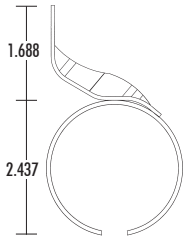
# ROUND TRACK OPTIONS



## BC201 Versa Track

14 gauge round track with key slots for doors up to 600 lbs.  
Used with round track brackets for single and double runs.  
Keyhole slots are reverse punched every 24" for mounting brackets.

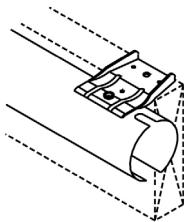
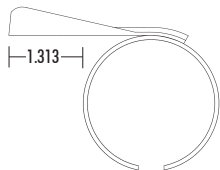
*Available in all even lengths from 6' - 20'*  
*Refer to pg 9 for mounting brackets*



## BC205 Track

14 gauge face mount track for no cover for doors up to 600 lbs.  
Brackets riveted to track every 24".  
Primarily used for horse stall door application.

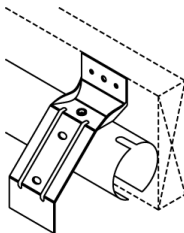
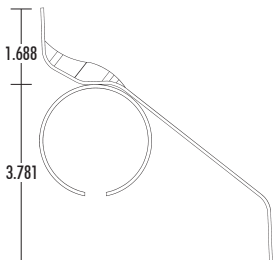
*Available in 8' length*



## BC206 Track

14 gauge top mount track for no cover for doors up to 600 lbs.  
Brackets riveted to track every 24".  
Primarily used for horse stall door application.

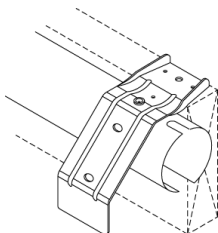
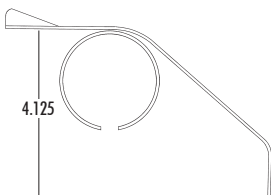
*Available in 8' length*



## BC211 Track

14 gauge face mount for cover for doors up to 600 lbs.  
Brackets riveted to track every 24".

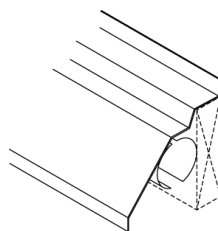
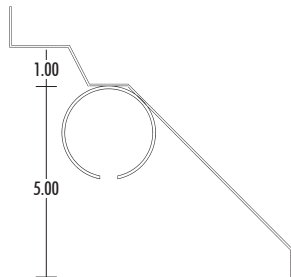
*Available in all even lengths from 8' - 20'*  
*Refer to pg 24 for track cover profile*



## BC213 Track

14 gauge top mount for cover for doors up to 600 lbs.  
Brackets riveted to track every 24".

*Available in all even lengths from 8' - 20'*  
*Refer to pg 24 for track cover profile*

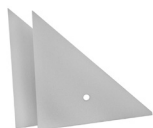


## BC214 Fast Track

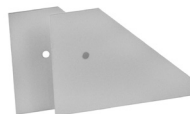
14 gauge for top mount with white cover attached for 3 1/2" doors up to 600 lbs.

*Available in all even lengths from 6' - 24'*  
*Call for availability and pricing on different colors*

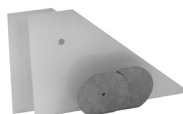
## ROUND TRACK END TRIMS



**PB211-ETS - 102110100**  
 White end trim covers for face mount.  
*Call for availability and pricing on different colors*



**PB213-ETS - 102130100**  
 White end trim covers for top mount.  
*Call for availability and pricing on different colors*



**PB214-ETS - 102140100**  
 White end trim covers used with BC214 fast track for matching trim.  
*Includes PB201ECS end caps.*  
*Call for availability and pricing on different colors*

## ROUND TRACK BRACKETS & ACCESSORIES

All brackets shown are used with BC201 versa track. Bracket spacing is recommended every 24"



**BC1SP-201 - 102010100**  
 Splice collar for use of connecting two sections of round track



**PB201ECS - 102010219**  
 End caps for round track.  
 Packaged in pairs with fastening hardware.



**BC1-201 - 102010101**  
 Face mount track bracket for no cover.  
 Use with BC201 versa track.



**BC4-201 - 102010104**  
 Top mount track bracket for no cover.  
 Use with BC201 versa track.



**BC3-201 - 102010103**  
 Face mount track bracket for cover.  
 Use with BC201 versa track.  
*Refer to pg 24 for track cover profile*



**BC5-201 - 102010105**  
 Top mount track bracket for cover.  
 Use with BC201 versa track.  
*Refer to pg 24 for track cover profile*



**L2-201 - 102010102**  
 Face mount track bracket for cover for 3 1/2" door.  
 Use with BC201 versa track.  
*Refer to pg 25 for track cover profile*



**R13-201 - 102011300**  
 Universal double side round track bracket



# ROUND TRACK BRACKETS - STUD BOLT OPTIONS

All brackets shown are used with BC201 versa track. Bracket spacing is recommended every 24".



**PB201-BHF - 102010190**  
Stud bolt fastener pack sold individually  
Use with BC201 versa track.  
*(complete box of 20 pcs will hang 40' track)*



**BC12-201 - 102010112**  
Heavy duty triangle bracket only for double track or single runs for up to 4 1/2" doors.  
*Use PB201-BHF for installation*



**BC7-201 - 102010107**  
Triangle track bracket only for single run stud bolt.  
Use with BC201 versa track.  
*Use PB201-BHF for installation  
Refer to pg 25 for track cover profile*



**BC14-201 - 102010114**  
Heavy duty cover bracket only.  
For use with BC12-201 only



**BC8-201 - 102010108**  
Triangle track bracket only for double track or single runs for up to 4 1/2" doors.  
Use with BC201 versa track.  
*Use PB201-BHF for installation  
Refer to pg 25 for track cover profile*



**BC16-201 - 102010116**  
Heavy duty double run kit.  
Includes BC12-201, BC14-201, and (2) PB201-BHF fastener packs  
*Refer to pg 25 for track cover profile*



**BC10-201 - 102011000**  
Cover bracket only. For use only with BC7-201 and BC8-201 where track cover is required.

# GELCON® ROUND TRACK TROLLEYS - DROP STRAPS

Drop strap style trolleys are great for installation on wood doors, offering easy vertical & horizontal adjustments.



**R29S - 100290001**  
For use on wood doors up to 600 lbs.  
Includes door straps for doors 1 3/4" to 2 3/4" thick.  
*Packaged with PB201ECS end caps*



## CELCON® ROUND TRACK TROLLEYS - OFFSET BOLT

Offset bolt trolleys allow for easy horizontal adjustment of door placement. Simply turn offset bolt into desired position and then fix lock washer to steel header.



**PB24T4 - 100240204**  
For use on metal frame doors up to 600 lbs. Includes 1 ½" washer with fixed seat for 4" straight bolt



**PB25T4 - 100250204**  
For use on metal frame doors up to 600 lbs. Includes 1 ½" washer with flexible seat for 4" straight bolt



**PB24T6 - 100240206**  
For use on metal frame doors up to 600 lbs. Includes 1 ½" washer with fixed seat for 6 ½" offset bolt



**PB25T6 - 100250206**  
For use on metal frame doors up to 600 lbs. Includes 1 ½" washer with flexible seat for 6 ½" offset bolt



**PB24T9 - 100240309**  
For use on wood/metal frame doors up to 600 lbs. Includes 1 ½" washer with fixed seat for 9" offset bolt



**PB25T9 - 100250309**  
For use on wood/metal frame doors up to 600 lbs. Includes 1 ½" washer with flexible seat for 9" offset bolt



**PB26T7 - 100260307**  
For use on metal frame doors up to 600 lbs. Includes 1 7/8" washer for thicker metal frame doors and includes 7 ½" offset bolt



**PB26T9 - 100260309**  
For use on metal frame doors up to 600 lbs. Includes 1 7/8" washer for thicker metal frame doors and includes 9" offset bolt



**DT01Kit - 100280501**  
Allows you to take a stock trolley and make a double truck trolley doubling the weight capacity, providing smoother door operation. Can be used with square or round trolleys with offset bolt. Kit includes bars and hardware to make 2 double truck trolleys to hang a single door leaf.

## CELCON® ROUND TRACK TROLLEYS - FRONT ADJUSTING

Front adjustment trolleys allow for easy horizontal adjustment of door placement. Simply turn horizontal adjustment bolt after door installation with wrench.



**PB28T6 - 100280006**  
For use on metal frame doors up to 600 lbs. Includes 6 ½" bolt front adjusting bolt for easy adjustments

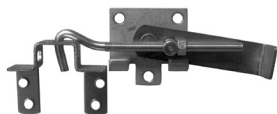


**PB28T9 - 100280009**  
For use on wood/metal frame doors up to 600 lbs. Includes 9" bolt front adjusting bolt for easy adjustments



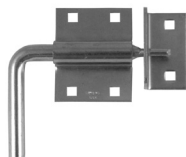
# SLIDING DOOR ACCESSORIES

## LATCHES & SNUGGERS



**PB121 with 7" Hook - 101210100**  
**PB122 with 4" Hook - 101220100**  
**Jamb Latch**  
Cam action jamb latch used to hold the door against the jamb.

*Packaged with:*  
(3) #12x1" Flat Head Wood Screws



**PB124S - 101240200**  
**Door & Gate Latch**  
Sturdy door and gate latch that can be padlocked.

*Packaged with:*  
(6) #14x1 1/4" Pan Head Sheet Metal Screws  
(2) #12x1 1/4" Flat Head Wood Screws



**PB126S - 101260200**  
**Stall & Gate Latch**  
Sturdy sliding stall or gate latch; primarily used on horse stalls.

*Packaged with:*  
(6) #12x1" Pan Head Wood Screws  
Call for availability and pricing on different colors



**PB127S - 101270101**  
**Chain Snugger**  
Used to secure wood or metal split doors.



**PB128 - 101280100**  
**Center Latch**  
Cam action center latch used to secure split wood or metal doors.



**PB129 - 101290000**  
**Center Bar Snugger**  
Used to secure 3 1/2" split doors



**R205S 12"- 102500212**  
**R205S 18"- 102500218**  
**R205S 24"- 102500224**  
**Zinc Cane Bolts**  
Holds bottom of door in place in a fixed position when lowered.

*Packaged with:*  
(8) #14x1 1/4" Pan Head Wood Screws



**PB209 - 102090000**  
**Triangle Door Pull**  
Works as door pull handle on inside of door

**PB208S/L208 8" - 102080000**  
**PB207S/L207 7" - 102070000**  
**Door Pull**  
Zinc or white door pulls.  
*Call for availability and pricing on different colors*

## STAY ROLLERS



**BC92S - 100920000**  
Used to hold a sliding door against the wall. Adjustable for 1 3/4" to 3 3/4" doors. 2 1/2" diameter wheel

*Packaged with:*  
(4) #14x1 1/2" Flat Head Wood Screws



**BC93S - 100930000**  
Stay roller with cement anchor. 2 1/2" diameter wheel

*Packaged with:*  
(1) 1/2x4 1/2" Lag Bolt  
(1) 1/2" Cement Anchor Shield



**BC95S - 100950000**  
Used to hold a sliding door against the wall. Adjustable for 1 3/4" to 2 1/2" doors. 2 1/16" wheel diameter

*Packaged with:*  
(3) #12x1 1/4" Flat Head Wood Screws



**PB97S - 100970000**  
Used to hold a sliding door against the wall. Adjustable for 1 3/4" to 3 3/4" doors. 2" diameter wheel

Also fits in the 2244 bottom rail.

# SLIDING DOOR ACCESSORIES

## BRACKETS & STOPS



**PB63 - 100630000**  
**Jamb Mount Stop**  
 1 3/4" Jamb mount stop; engages the door in both the open and closed positions.



**BC65S - 100650000**  
**Door Stop**  
 Door stop with stiffener ribs for added strength. For doors up to 2 1/4".  
*Packaged with (3) 5/16x2" Lag Bolts*  
*Call for availability and pricing on different colors*



**PB66 Zinc - 100660000**  
**PB66 White - 100660200**  
**Door Stop**  
 Heavy duty adjustable stop for doors up to 4 1/4".  
*Call for availability and pricing on different colors*



**BC75 - 100750000**  
**Center Door Guide**  
 Center door guide with welded stops. Mounts over a 6X6 post. For use with 2244 and 3394 bottom rails.



**BC76 - 100760000**  
**Center Door Guide**  
 Center door guide with stop. Mounts over a 6X6 post. For use with 1600WB bottom rail.



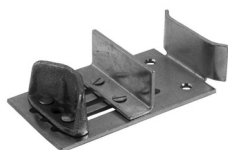
**BC78 - 100780000**  
**Center Door Guide**  
 Center door guide with adjustable stops. Mounts over a 4 1/2" laminated column. For use with 3394 bottom rail



**BC85 - 100850000**  
**Center Door Guide**  
 Heavy duty center door guide for single or split doors. Ramp design for driving over without damaging tires. Can be mounted on a concrete floor or on top of a 6X6 post. T stop fastens to guide for split sliding doors  
*Packaged with (2) #14x2 1/2" Lag Bolts*



**BC85 - 100850100**  
**Intermediate Guide**  
 Used with the BC85 in the mid span of wide sliding doors. "T" design that slides inside the 3394 bottom rail.  
*Packaged with (4) #14x2 1/2" Lag Bolts*



**BC86 - 100860100**  
**Bottom Door Guide**  
 Bottom door guide for by-passing doors.  
*Packaged with:*  
*(2) #12x1 1/4" Flat Head Wood Screws*



**22 1/2" Fixed - 100500000**  
**30 1/2" Fixed - 100500001**  
**C Bracket**  
 Fixed reinforcing brackets used in 3 1/2" doors with metal box girts for framing. Used to connect the top two box girts for reinforcing under the trolleys.



**C Bracket - 100500003**  
**Adjustable**  
 Adjustable reinforcing brackets used in 3 1/2" doors with metal box girts for framing. Used to connect the top two box girts for reinforcing under the trolleys.  
 Adjustable from 20" to 30 1/2".



# 1 1/2" ALUMINUM DOOR RAILS

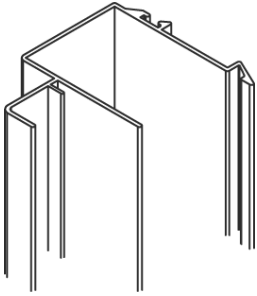
## 1600 SERIES FRAME

1600AV Side Rail available in all even foot lengths from 8' - 16'

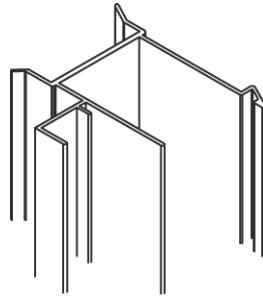
1600HV H-Rail for split doors available in all even foot lengths from 8' - 16'

1600WB Bottom Rail available in all even foot lengths from 8' - 16'

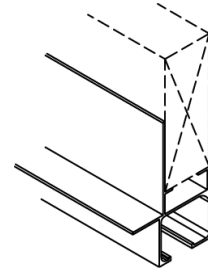
*Call for availability and pricing on different colors*



1600AV Vertical Side Rail



1600HV Vertical H-Rail



1600WB Horizontal Bottom Rail  
*(use with TRG Bottom Guide)*

## 2200 SERIES FRAME

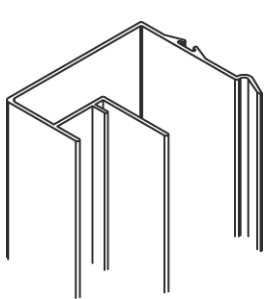
2200 Side Rail available in all even foot lengths from 8' - 20'

2216 H-Rail for split doors available in all even foot lengths from 8' - 20'

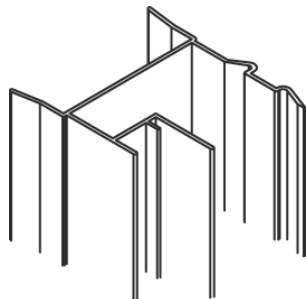
2201 Bottom Rail available in all even foot lengths from 8' - 20'

2244 Bottom Rail available in all even foot lengths from 8' - 20'

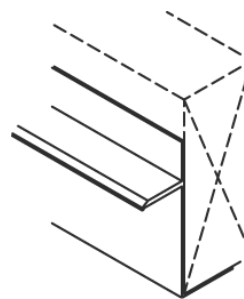
*Call for availability and pricing on different colors*



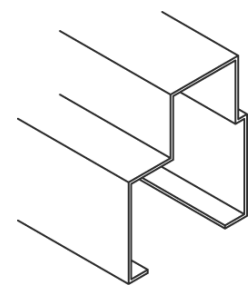
2200 Vertical Side Rail



2216 Vertical H-Rail



2201 Horizontal  
Bottom Rail



2244 Horizontal Bottom Rail  
*(use with TBSG Bottom Guide)*

## 3 1/2" ALUMINUM DOOR RAILS

### 3300 SERIES BIG FRAME

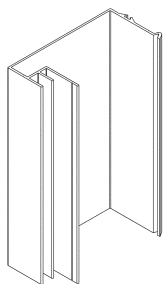
3391 Side Rail available in all even foot lengths from 8' - 24'

3396 H-Rail for split doors available in all even foot lengths from 8' - 24'

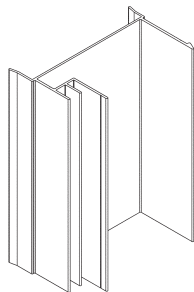
3394 Bottom Rail available in all even foot lengths from 8' - 24'

3394 Bottom Rail Stiffener 12" - Provides reinforcement of 3394 bottom rail to center door guide/stop on split sliding doors

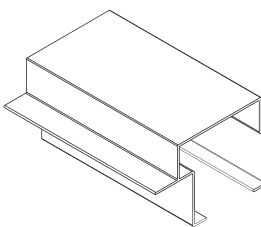
*Call for availability and pricing on different colors*



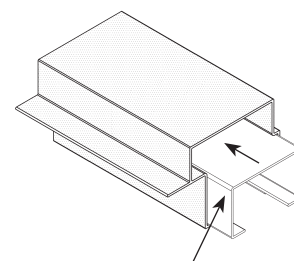
3391 Vertical Side Rail



3396 Vertical H-Rail

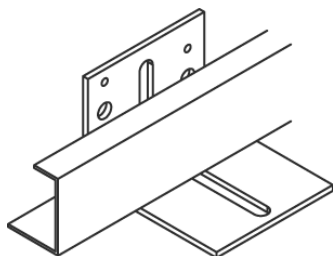


3394 Horizontal Bottom Rail  
*(use with TBSG Bottom Guide)*



3394 12" Bottom Rail Stiffener

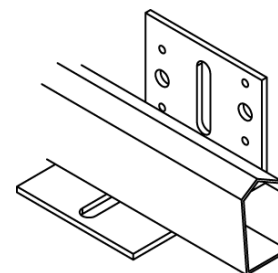
### BOTTOM DOOR GUIDES



TRG Bottom guide with brackets & door stop.

Available in 5' and 10' sections.

*(use with 1600WB Bottom Rail)*



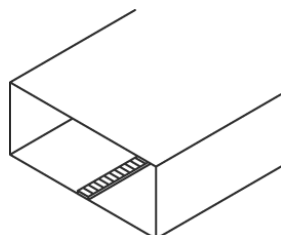
TBSG bottom guide with brackets & door stop.

Available in 6', 8', 10', 12', 14', & 16' sections.

*(use with 2244 or 3394 Bottom Rail)*

*\*\*See page 26 for Bottom Rail & Bottom Guide Assembly Detail\*\**

### STEEL HORIZONTAL BOX GIRTS



20 ga 235 Box Girts - 1 1/2" x 3 1/2" fully interlocking seams, used for laterals in place of wood.

Can be used 1 1/2" way or on side 3 1/2" way for framing doors.

Available in all foot increments from 5' - 25' lengths.



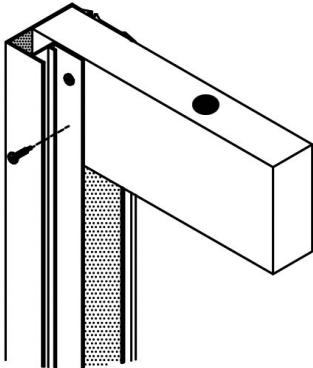
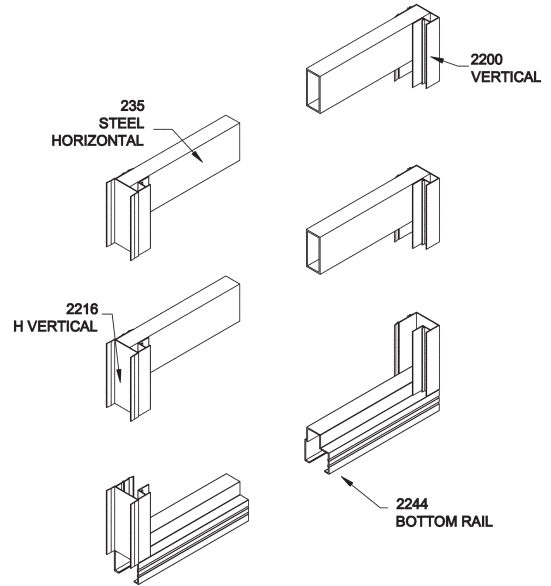
# 1 1/2" SLIDING DOOR INSTALLATION OVERVIEW

(contact MWI Components for full installation guide)

1. Single leaf sliding doors require (2) vertical rails. Split sliders require (3) vertical & (1) H rail. Allow for minimum of 1" overlap on top of rough opening & overlap bottom as needed.

*NOTE: 2244 will add 2" to overall height of sliding door.*

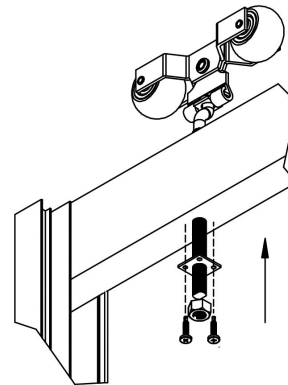
2. A horizontal box girt is suggested for every 24" of height for sliding doors; for example, a 12' tall door would require at least 6 steel horizontals. Cut box girts to desired length, allowing minimum 2 1/2" overlap to each side of finished opening.



3. One of the steel horizontal box girts will become the top "header" horizontal. A 1/2" hole will need to be drilled at least 8" from each end of door. Larger doors will require 1/2" hole to be greater distance from the edge.

4. Lay verticals face down & slide top horizontal and bottom rail into place, make sure these are fully engaged into verticals. Fasten (1) #10x3/4" self-tapper into each end. Position rest of horizontals into place every 24" on center. Check for squareness & ensure all horizontals are pushed tightly into verticals. Attach (2) #10x3/4" self-tappers per horizontal - per side.

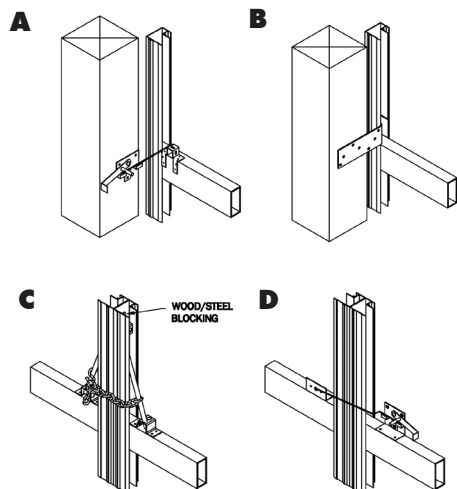
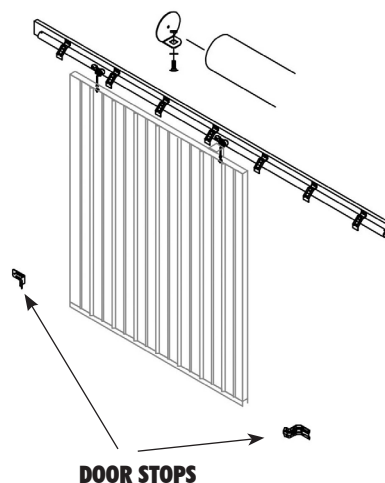
5. Attach sheet steel and/or any trim pieces to door. Attach trolleys through 1/2" hole in top horizontal and tighten lock washer & nut up to top horizontal. The final adjustment of door position will be made after door is securely hung in track.



# 1 1/2" SLIDING DOOR INSTALLATION OVERVIEW

6. Install a length of door track double the finished opening width, ensuring this is straight & level. Position door beneath track and lift vertically to insert trolleys one at a time. Use trolley hanger adjustments to move door up, down, in or out. Securely fasten adjustment washer into top horizontal.

7. Add end caps to each end of track. End caps are not designed as a door stop. If desired, install track cover and end trims.

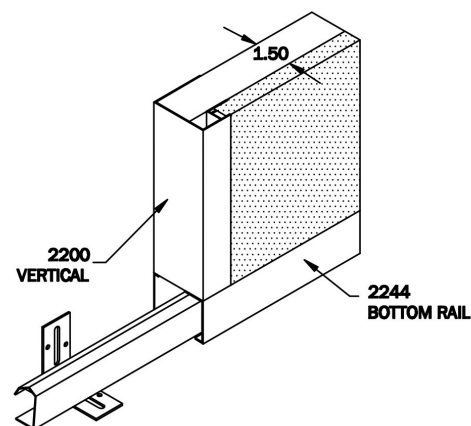


8. Accessories can be installed to user preference.

- Door stops are to be placed at each end of track
- Jamb latches (A) and jamb mount stops (B) are installed on the jamb to secure a door against the jamb
- Center chain snugger (C) or center latch (D) are used to hold bi-parting door panels together
- Center door guides are mounted at the center of split sliding door opening

9. For installation of bottom guide rail, start with door in closed position (*see page 26 for detail*). Rail used needs to be at least one half of door panel width. When guide rail is centered in bottom rail, loosely fasten guide rail to brackets. Using provided fasteners, fasten first mounting bracket to base board of building. Roll door open to fasten last bracket to base board. Repeat for any center brackets as required.

10. Check movement of door to make sure it slides without rubbing, then secure all fasteners in brackets and rail.





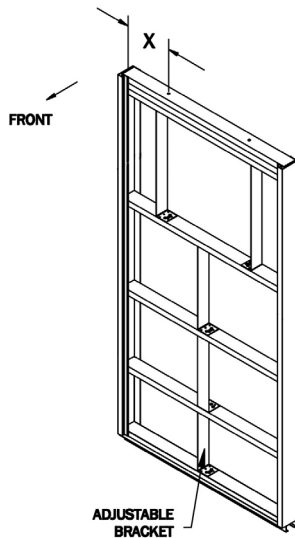
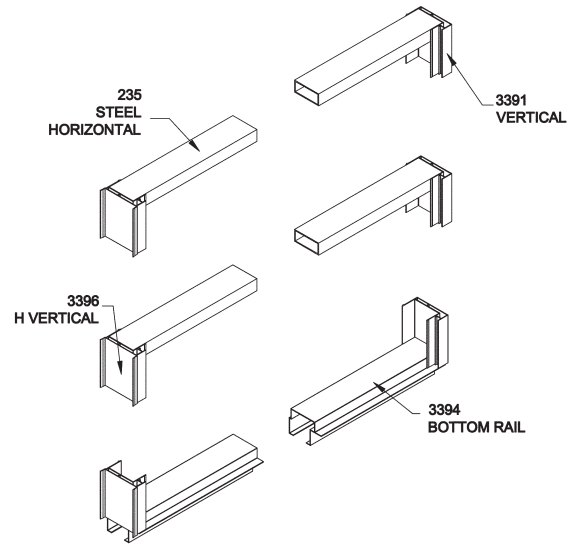
# 3 1/2" SLIDING DOOR INSTALLATION OVERVIEW

(contact MWI Components for full installation guide)

1. Single leaf sliding doors require (2) vertical rails. Split sliders require (3) vertical & (1) H rail. Allow for minimum of 1" overlap on top of rough opening & overlap bottom as needed.

*NOTE: 3394 will add 2" to overall height of sliding door.*

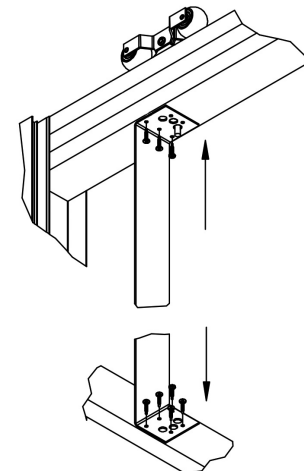
2. A horizontal box girt is suggested for every 24" of height for sliding doors; for example, a 12' tall door would require at least 6 steel horizontals. Cut box girts to desired length, allowing minimum 2 1/2" overlap to each side of finished opening. Larger doors may require additional box girts in header position.



3. One (or more) of the steel horizontal box girts will become the top "header" horizontal. A 1/2" hole will need to be drilled at least 8" from each end of door. Larger doors will require 1/2" hole to be greater distance from the edge.
4. Lay verticals face down & slide top horizontal and bottom rail into place, make sure these are fully engaged into verticals. Fasten (1) #10x3/4" self-tapper into each end. Position rest of horizontals into place every 24" on center. Check for squareness & ensure all horizontals are pushed tightly into verticals. Attach (2) #10x3/4" self-tappers per horizontal - per side.

5. On doors 14' wide or greater, use (2) 22.5"C-brackets to distribute the load on the door structure. Wider doors may require additional C-brackets running down center of door to prevent any sag that may occur. Use the adjustable C-bracket between the lowest steel horizontal & bottom rail.

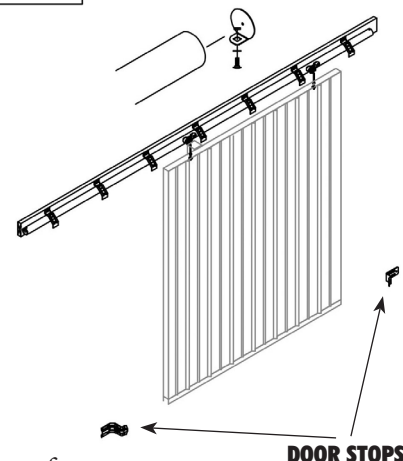
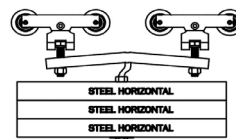
5. Attach sheet steel and/or any trim pieces to door. Attach trolleys through 1/2" hole in top horizontal and tighten lock washer & nut up to top horizontal. The trolley bolt will pass through one of three holes at the C-bracket's end. The final adjustment of door position will be made after door is securely hung in track.



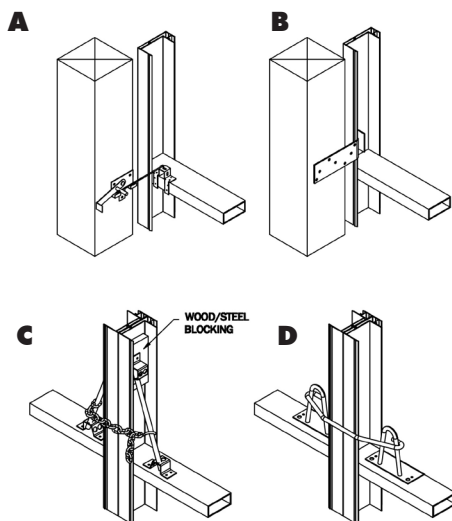


# 3 1/2" SLIDING DOOR INSTALLATION OVERVIEW

6. Install a length of door track double the finished opening width, ensuring this is straight & level. Position door beneath track and lift vertically to insert trolleys one at a time. A DT01 kit may be used here for larger weight doors (*see page 26 for detail*). This will convert (2) trolleys into a double trolley for each side of the door leaf, doubling the weight capacity by disbursing the door's weight.



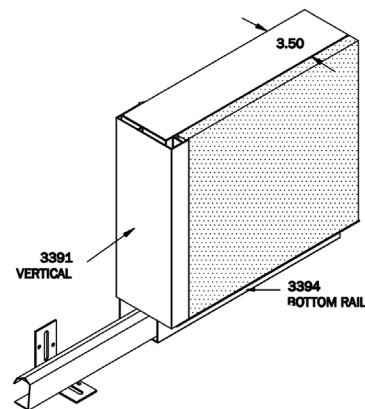
7. Add end caps to each end of track. End caps are not designed as a door stop. If desired, install track cover and end trims.



8. Accessories can be installed to user preference.

- Door stops are to be placed at each end of track
- Jamb latches (A) and jamb mount stops (B) are installed on the jamb to secure a door against the jamb
- Center chain snugger (C), bar snugger (D) or center latch are used to hold bi-parting door panels together
- Center door guides are mounted at the center of split sliding door opening

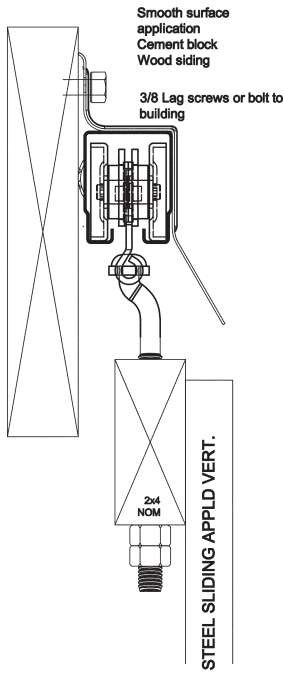
9. For installation of bottom guide rail, start with door in closed position (*see page 26 for detail*). Rail used needs to be at least one half of door panel width. When guide rail is centered in bottom rail, loosely fasten guide rail to brackets. Using provided fasteners, fasten first mounting bracket to base board of building. Roll door open to fasten last bracket to base board. Repeat for any center brackets as required.



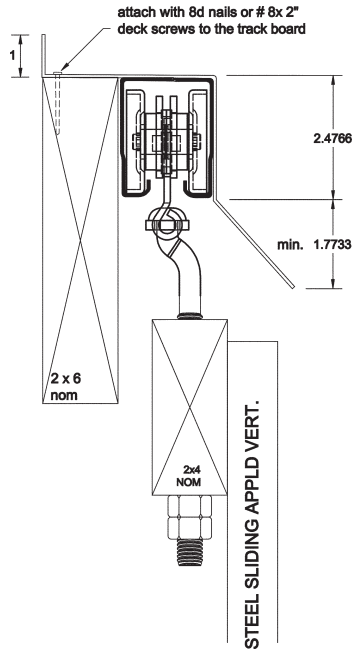
10. Check movement of door to make sure it slides without rubbing, then secure all fasteners in brackets and rail.

# SINGLE HEADER PROFILES SQUARE TRACK & TROLLEYS

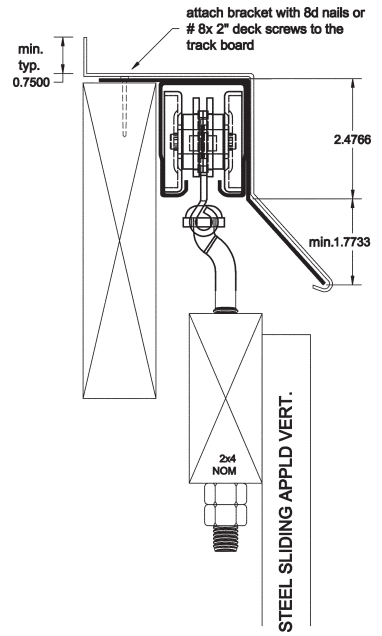
## R22T9 TROLLEY



311 TRACK

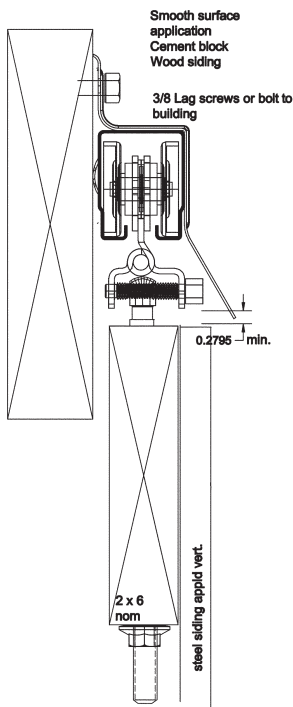


312 TRACK

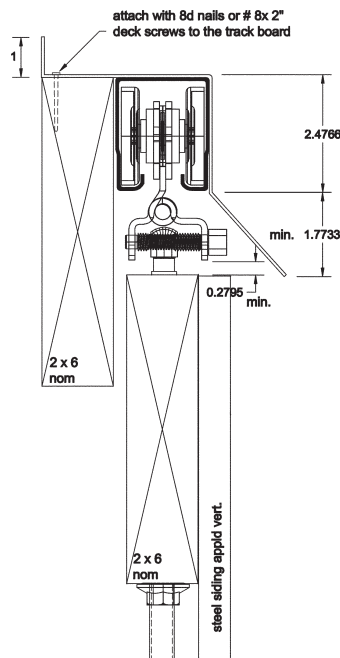


313 TRACK

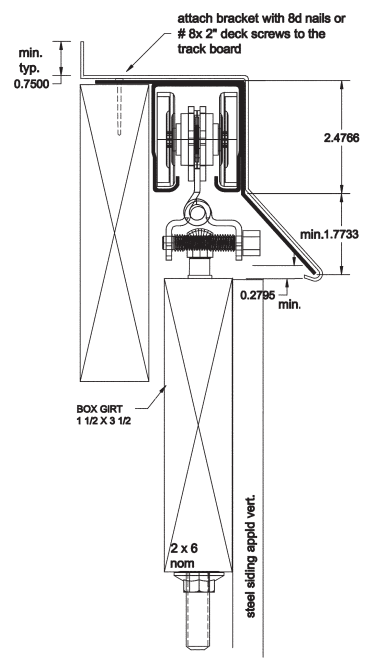
## R38T9 TROLLEY



311 TRACK



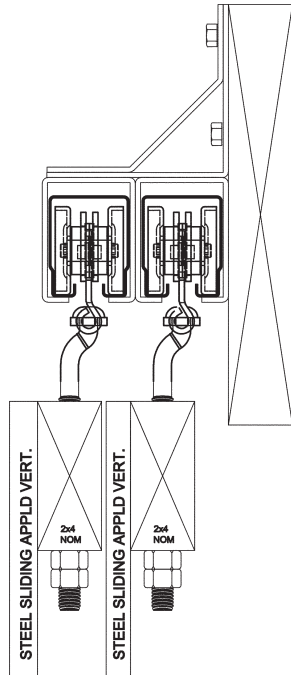
312 TRACK



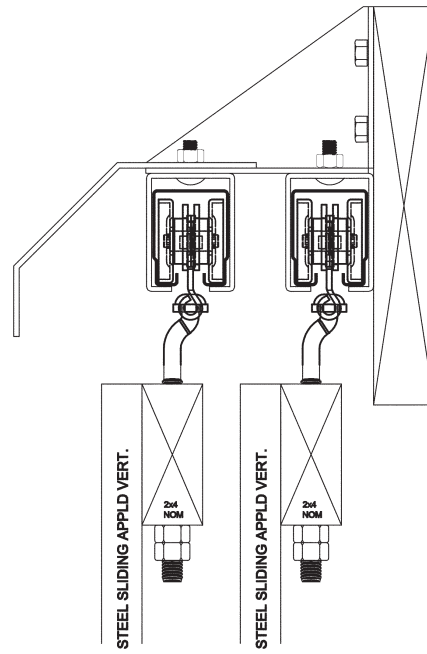
313 TRACK

# DOUBLE HEADER PROFILES SQUARE TRACK & TROLLEYS

## R22T9 TROLLEY

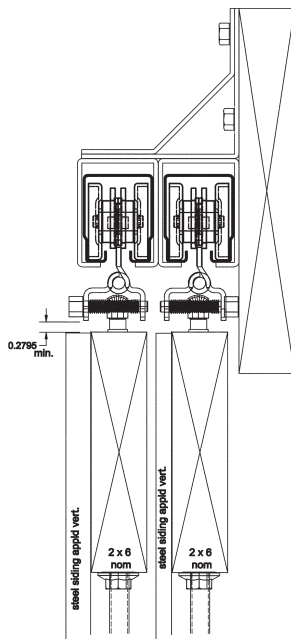


BC5-301 Double Track Bracket

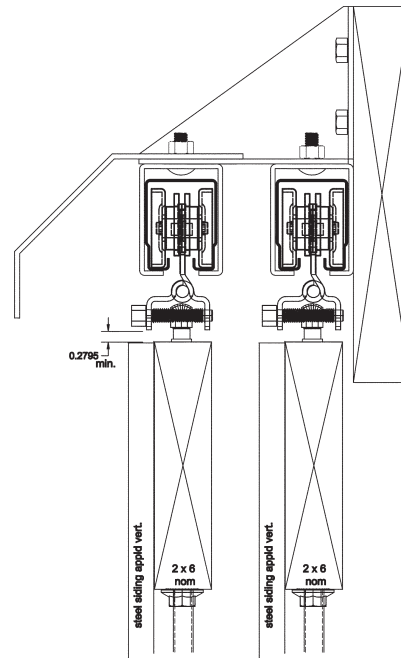


BC11-301 Double Track Bracket  
with Retainer Bracket

## R38T9 TROLLEY



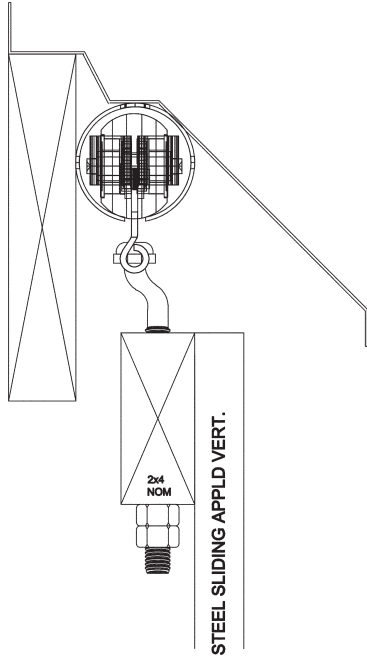
BC5-301 Double Track Bracket



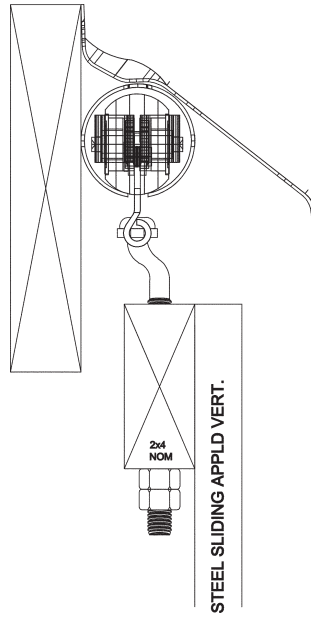
BC11-301 Double Track Bracket  
with Retainer Bracket

# SINGLE HEADER PROFILES ROUND TRACK & TROLLEYS

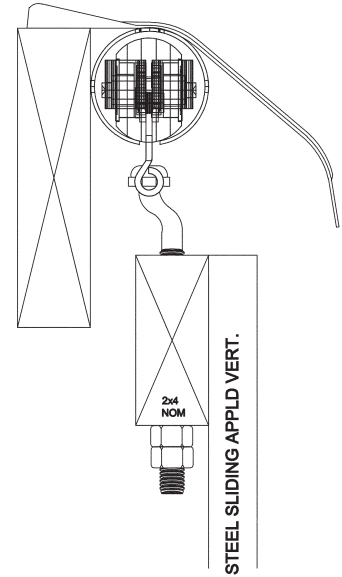
## PB25T9 TROLLEY



214 TRACK

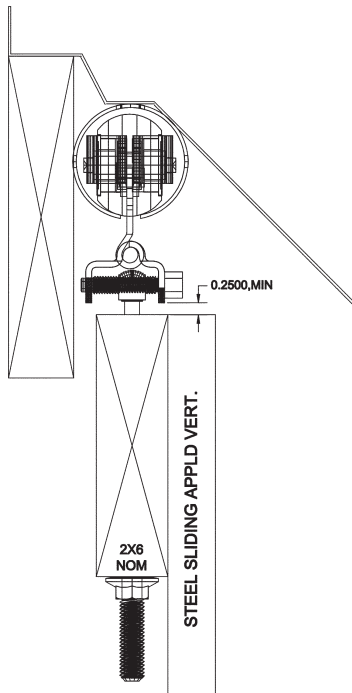


201 TRACK W/  
BC3-201 BRACKET

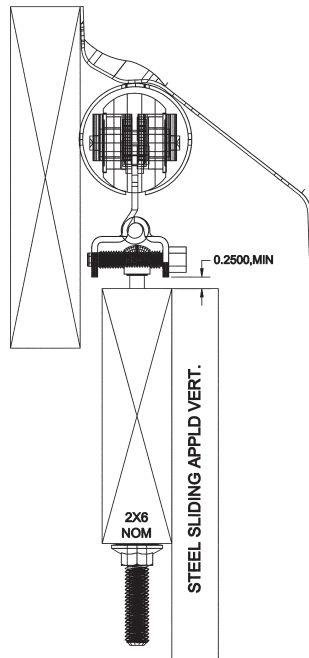


201 TRACK W/  
BC5-201 BRACKET

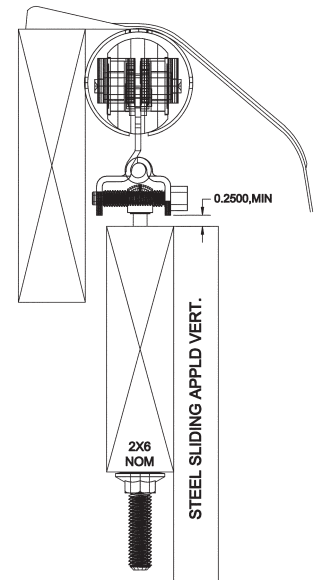
## PB28T9 TROLLEY



214 TRACK



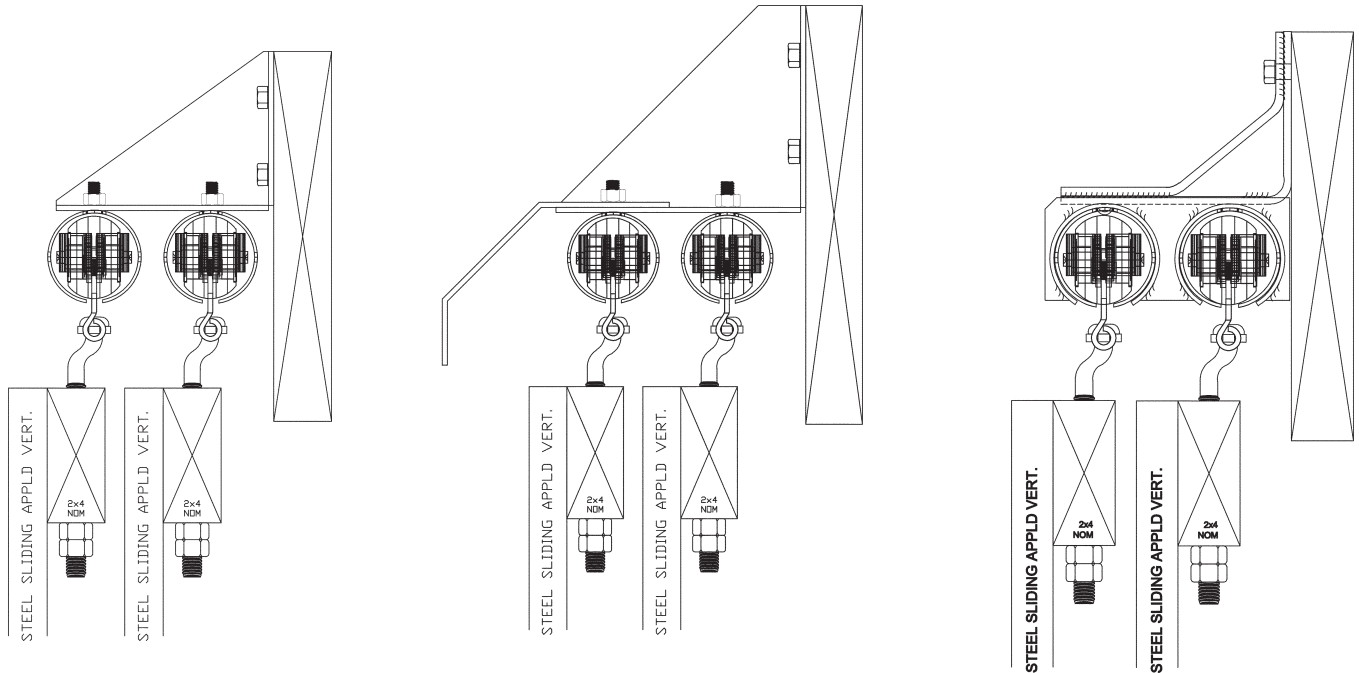
201 TRACK W/  
BC3-201 BRACKET



201 TRACK W/  
BC5-201 BRACKET

# DOUBLE HEADER PROFILES ROUND TRACK & TROLLEYS

## PB25T9 TROLLEY

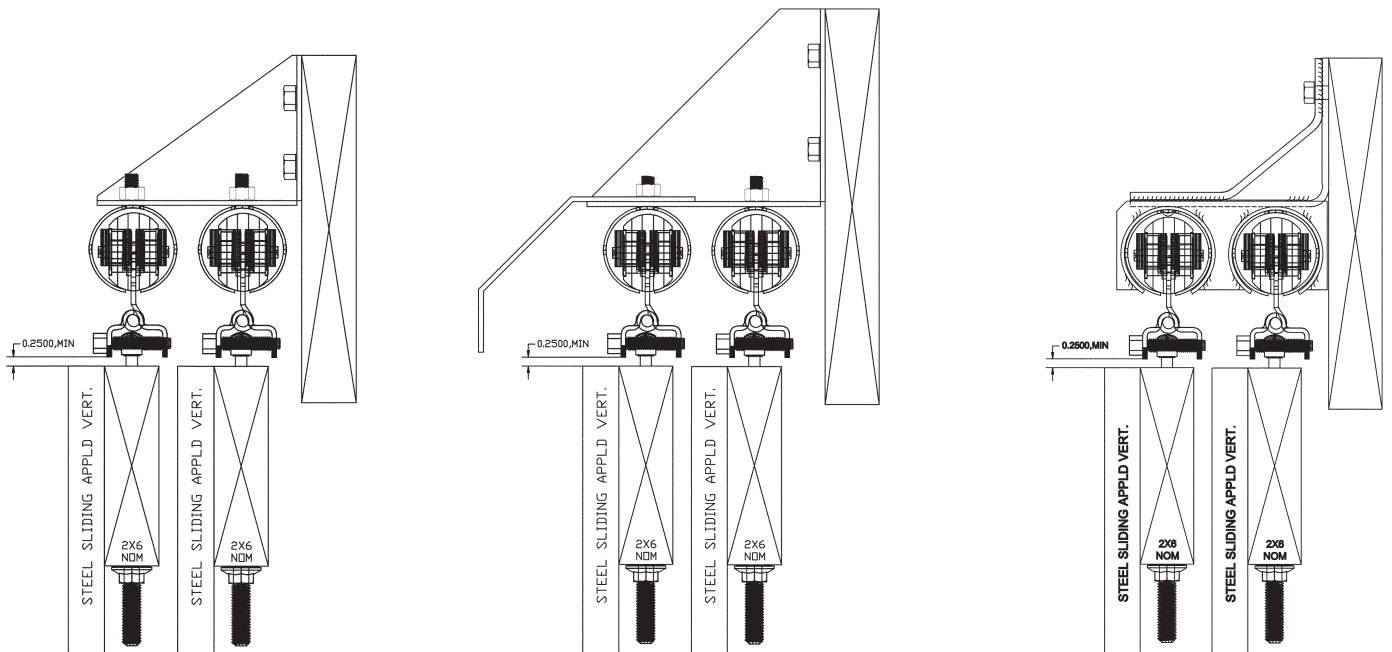


BC8-201 Double Track Bracket

BC16-201 Double Track Bracket  
with Retainer Bracket

R13-201 Double Track Bracket

## PB28T9 TROLLEY



BC8-201 Double Track Bracket

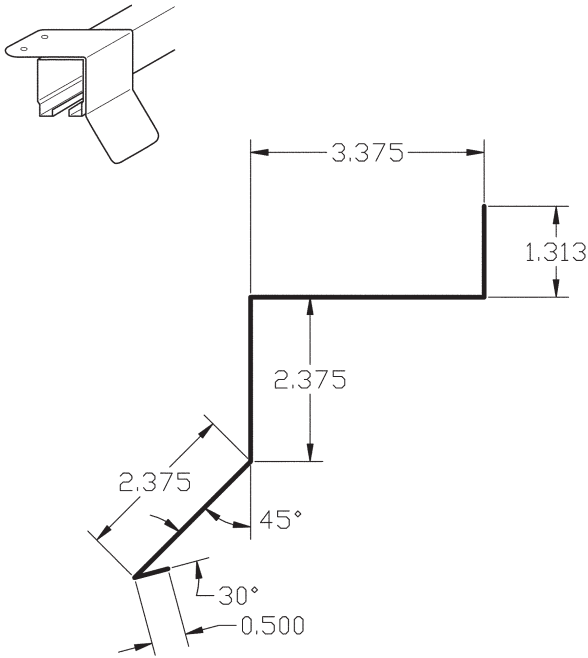
BC16-201 Double Track Bracket  
with Retainer Bracket

R13-201 Double Track Bracket



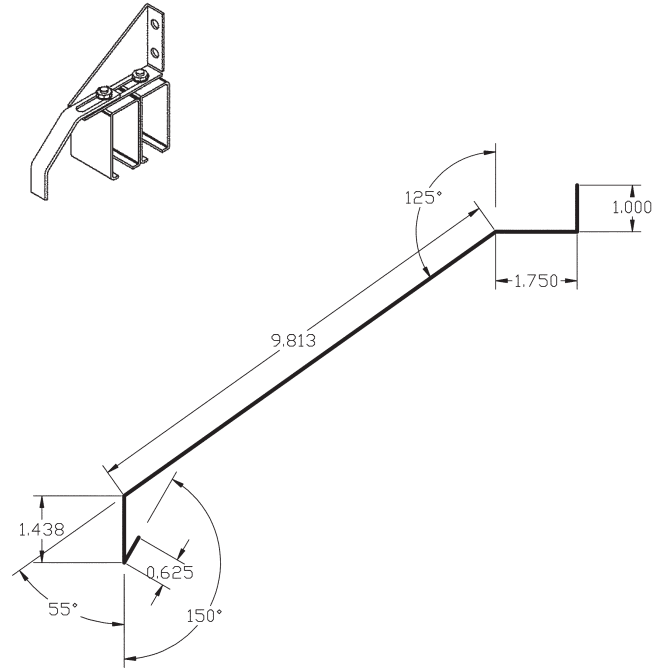
# RECOMMENDED TRACK COVER PROFILES

Not available from MWI Components



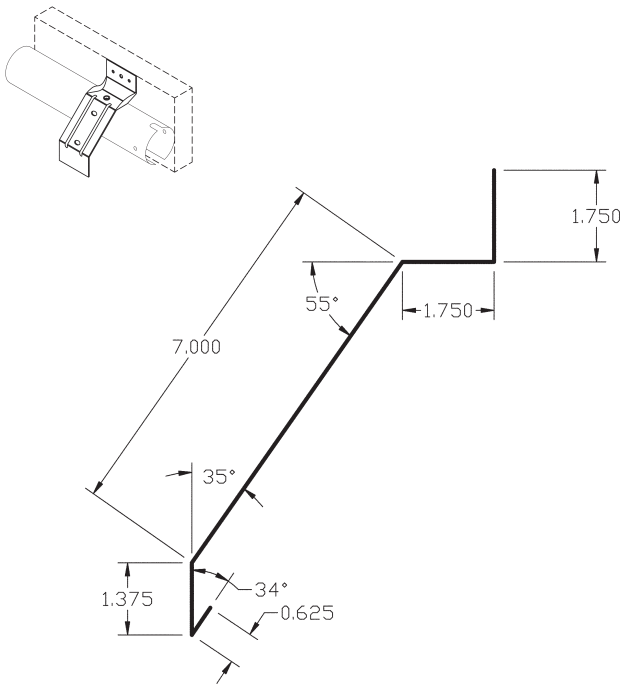
**BC313 Track or BC313-1 Bracket**

*Used for single run*



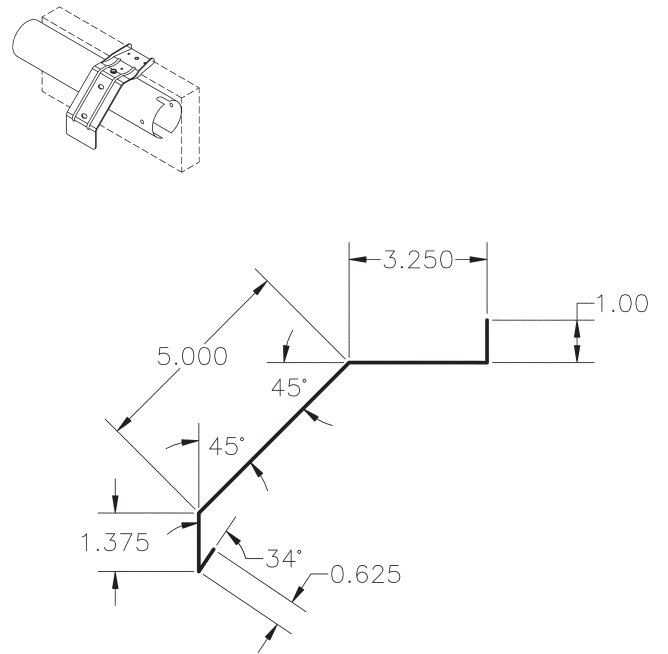
**BC11-301 Bracket**

*Sold as double run, can be used for single run*



**BC211 Round Track or BC3-201 Bracket**

*Used for single run*

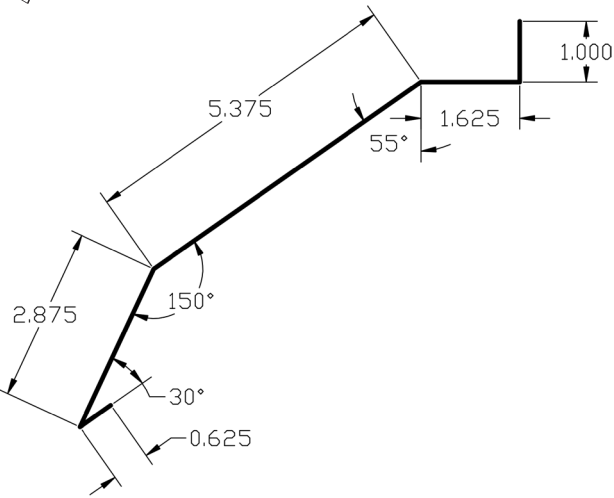
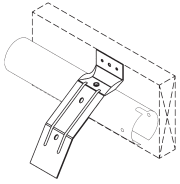


**BC213 Round Track or BC5-201 Bracket**

*Used for single run*

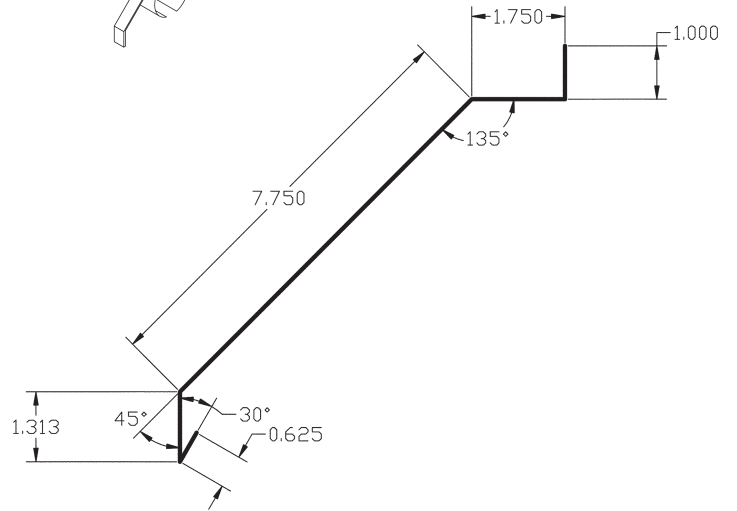
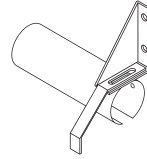
# RECOMMENDED TRACK COVER PROFILES

Not available from MWI Components



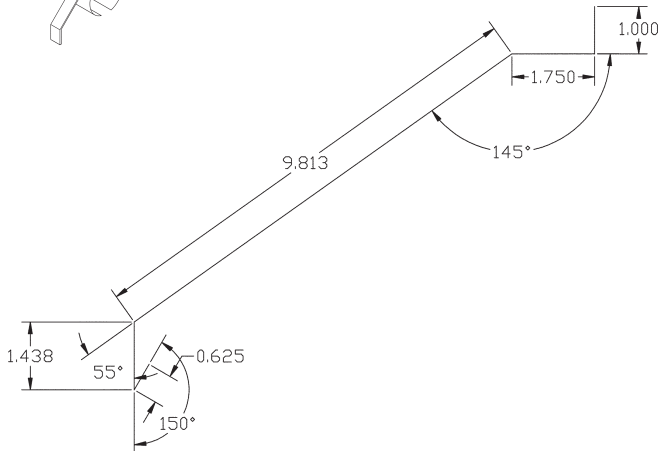
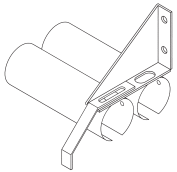
**L2-201 Bracket**

*Used for single run of 3 1/2" thick doors*



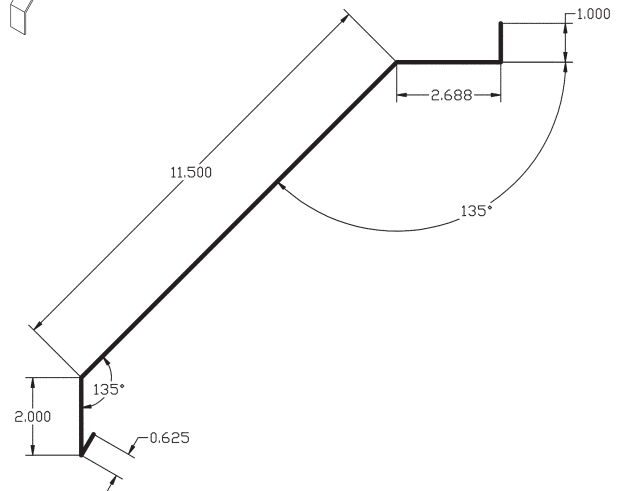
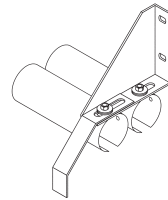
**BC7-201 Bracket & BC10-201 Retainer Bracket**

*Used for single run*



**BC8-201 Bracket & BC10-201 Retainer Bracket**

*Sold as double run, can be used for single run*



**BC16-201 Heavy-Duty Double Run Kit**

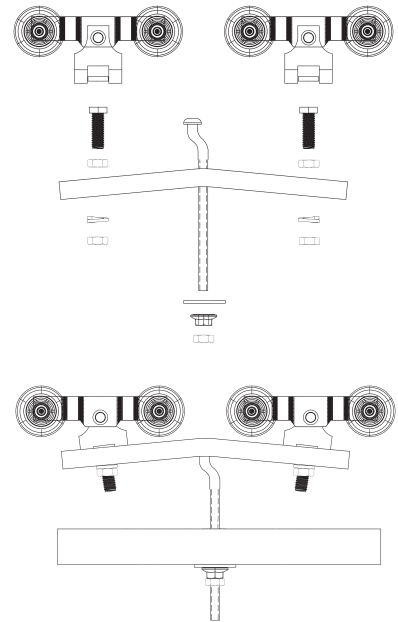
*Sold as double run, can be used for single run*



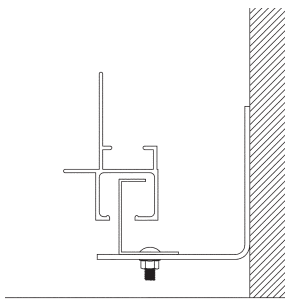
# DT01 DOUBLE TRUCK KIT

The DT01 double truck kit is designed to double the weight capacity of a set of trolleys for any door weighing more than the noted trolley capacity. The DT01 kit is packaged with (2) tandem brackets and necessary hardware. You will need to purchase offset bolt trolleys separately.

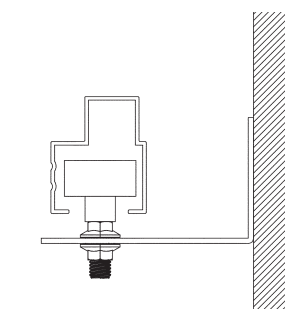
1. Using fasteners provided with tandem bracket, connect a trolley to each side of bracket (*shown right*).
2. Insert (1) offset bolt packaged with trolleys into center of tandem bracket.
3. Tandem trolley assembly can now be utilized the same as a standard trolley. Drop offset bolt into  $\frac{1}{2}$ " hole drilled into each side of sliding door's horizontal "header".



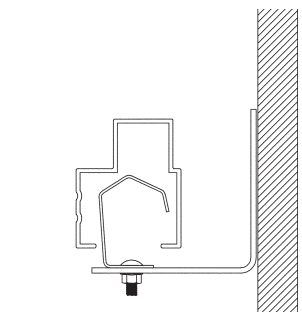
## BOTTOM RAIL PROFILES



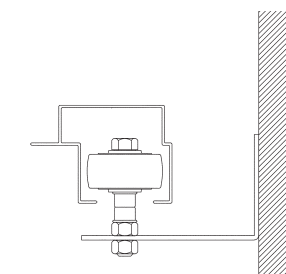
**1600WB Bottom Rail  
with TRG Bottom Guide**



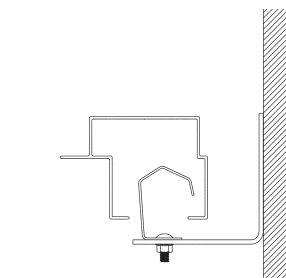
**2244 Bottom Rail  
with PB97S Stay Roller**



**2244 Bottom Rail  
with TBSG Bottom Guide**



**3394 Bottom Rail  
with BC92S Stay Roller**



**3394 Bottom Rail  
with TBSG Bottom Guide**