

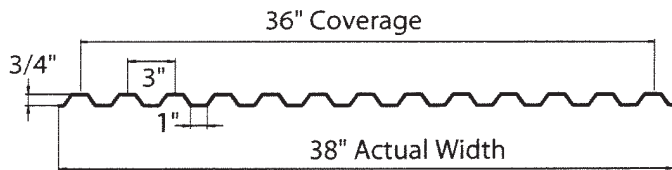
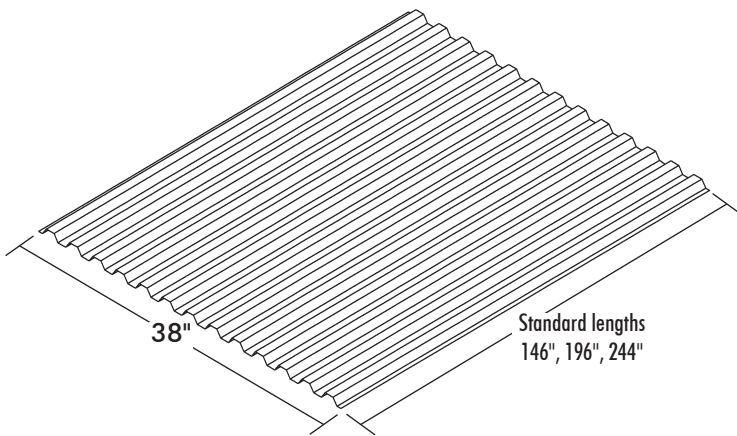


PVC LINER PANEL & TRIMS

- Lightweight & Easy To Handle
- Corrosion Free
- Low Coefficient of Expansion
- Tough & Durable

- Excellent Fire Performance
- Three Standard Sheet Sizes
- Three Standard Trim Profiles Available
- Easily Cut On The Jobsite

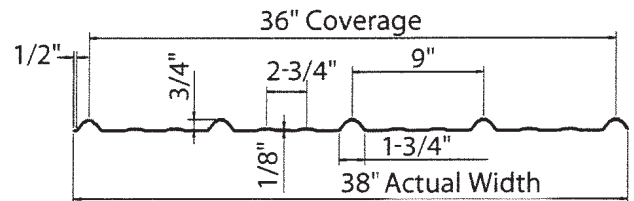
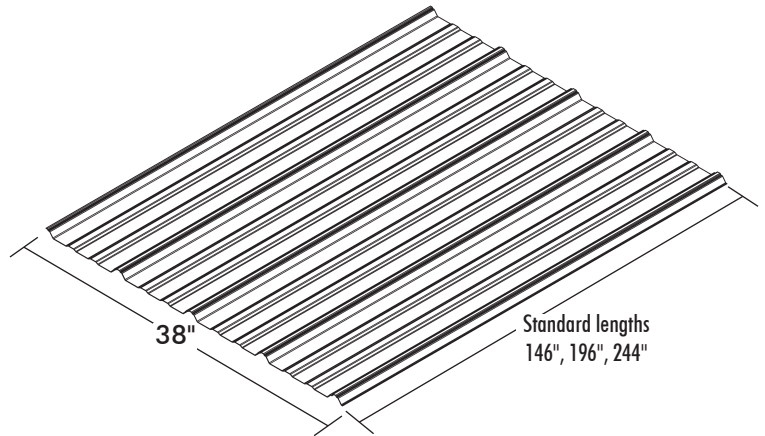
3" OC GRECA PROFILE



Can be used for indoor cladding applications such as liner panels and partitions. Gain better climatic control and easy sanitary maintenance.

Material Thickness = .032 in
 • WHITE •

9" OC CLASSIC RIB PROFILE



Can be used in exterior applications where a heavier panel and protection from the Sun's UV rays is required.

Material Thickness = .039 in
 • WHITE •

PVC panels are ideal for use as a wall or ceiling liner panel in any type of confinement building (hog, dairy, poultry). The product is easily power washed and will never rust, since it is solid PVC. PVC's chemical resistance allows for regular cleaning and sanitary maintenance, as well as extended service in harsh chemical environments. Panels are easy to install and maintain using standard tools, while still preserving their glossy appearance over longer periods of time.

STORAGE:

Panels should be transported and stored horizontally on a flat, sturdy pallet whose dimensions are equal to or larger than the panels themselves. It is possible to store shorter panels on top of longer ones; never store longer panels on top of shorter ones! If material is stored outdoors, cover with an opaque material suitable enough to not absorb or conduct heat. The total area of the pallet should be covered. Stored panels should always be secured to the pallet. To minimize possible warp and deformation, panels should be installed only after they have been temperature acclimated to the structures interior.

CUTTING:

It is possible to cut PVC sheets with a circular saw, using a blade intended for hardwood or plastics, rotating at high speed. Multiple panels should be stacked together for cutting cleaner lines with less rough edges, advancing the saw at a slow feed rate. Electric jig saw or hand saw can be utilized for local cuts or complex cuts. In any case, it is very important to support the panels near the cut and clean away all dust and debris.

FASTENER LOCATIONS:

1. Fastener should be installed every third corrugation valley, screwed into the centerline of each support. If the panel is going to be used in conjunction with blanket or blown insulation, in ceilings or walls, a fastener should be used in every second corrugation valley.
2. A pre-drilled hole, 1/16" larger in diameter than the intended fastener, is recommended at every fastener location. A special self drilling "winged" wood screw (one-stepper) can also be used and will oversize the hole for you.
3. The fasteners should be tightened by an electric screwdriver equipped with adjustable clutch, DO NOT OVERTIGHTEN. Holes should always be drilled perpendicular to panel.
4. At the side-lap, two valley fasteners should be installed at both sides of the overlapping corrugations.

Positions of ceiling/wall fasteners in regular installation without insulation.

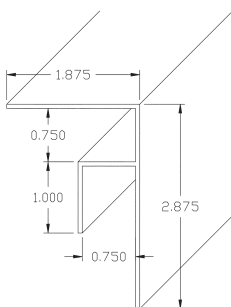


Positions of ceiling/wall fasteners with insulation mats.

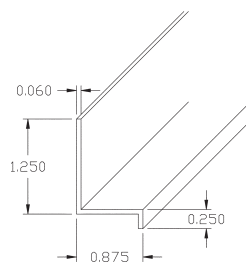


PVC TRIM OPTIONS

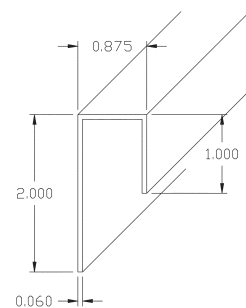
- All PVC trim options are 120" in length •



Inside Corner Trim



Base Trim



J Trim