



LONG CREEK STEEL, LLC.



28778 SUPERIOR PLACE
BERESFORD, SD. 57004

OFFICE: 605-372-3279

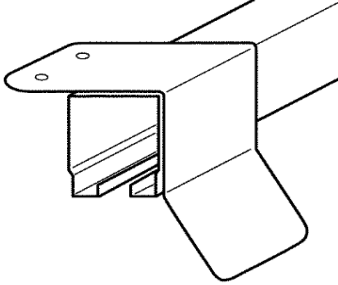
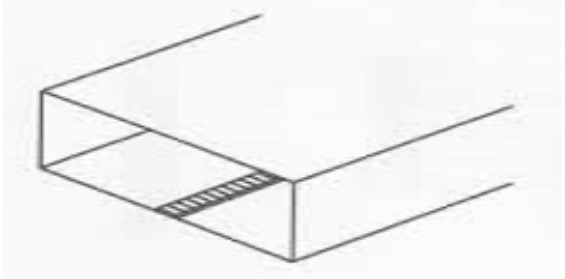
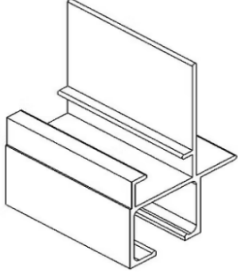
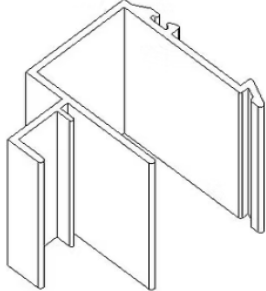
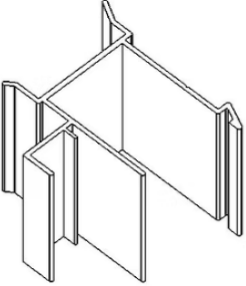
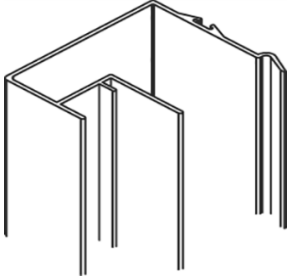
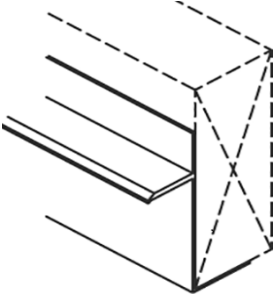
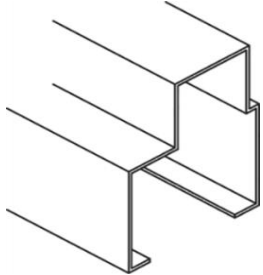
FAX: 605-372-3280

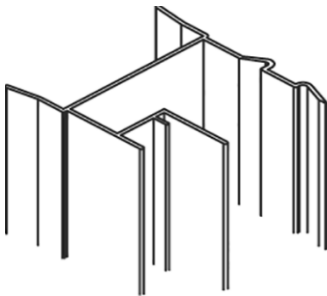
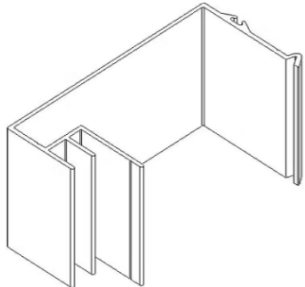
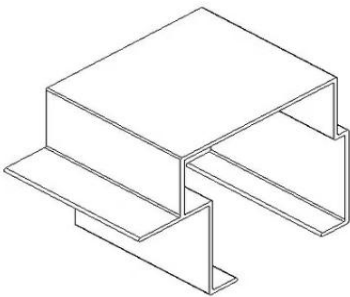
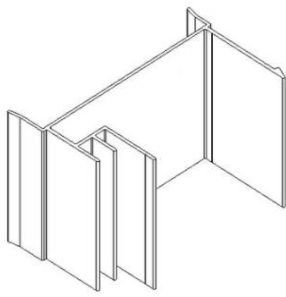
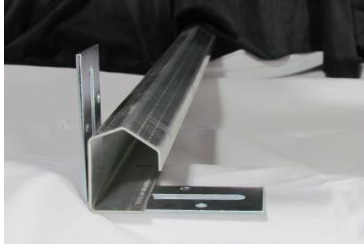


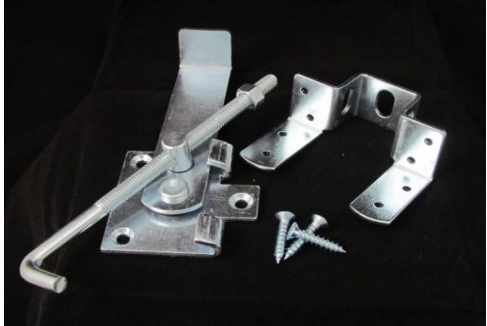
www.longcreeksteel.com

SLIDING DOOR HARDWARE BOOKLET INDEX

BC313 Square Track w\Brackets	Page 2
235 Boxed Girts	Page 2
1600WB Bottom Rail	Page 2
1600AV Vertical Rail	Page 2
1600HV Vertical H Rail	Page 2
2200 Vertical Side Rail	Page 2
2201 Bottom Rail	Page 2
2244 Bottom Rail	Page 2
2216 Vertical H Rail	Page 3
3391 Vertical Side Rail	Page 3
3394 Horizontal Bottom Rail	Page 3
3396 Vertical H Rail	Page 3
TBSG Bottom Guide	Page 3
R38T9 Trolley	Page 3
R32LB Trolley	Page 3
PB121 Jamb Latch	Page 3
BC92S Stay Roller	Page 4
PB128 Center Latch	Page 4
PB127S Chain Snugger	Page 4
PB129 Center Bar Snugger	Page 4
PB208 Door Pull - 8"	Page 4
PB207 Door Pull - 7"	Page 4
BC85 Center Door Guide	Page 4
PB66 Door Stop	Page 4
PB65S Door Stop	Page 5
PB63 Jamb Mount Stop	Page 5

**** Indicates Non Stock Items**

<p>BC313 Square Track w\Brackets</p>  <p>Available: 8' 10' 12' 14' 16' 18' 20' 24'</p>	<p>235 Boxed Girts</p>  <p>Available: 8' 10' 12' 14' 16' 18' 20' 24'</p>
<p>**1600WB Horizontal Bottom Rail</p>  <p>Available: 8' 10' 12' 14' 16' 18' 20' 24'</p>	<p>**1600AV Vertical Side Rail</p>  <p>Available: 8' 10' 12' 14' 16' 18' 20' 24'</p>
<p>**1600HV Vertical H Rail</p>  <p>Available: 8' 10' 12' 14' 16' 18' 20' 24'</p>	<p>2200 Vertical Side Rail</p>  <p>Available: 8' 10' 12' 14' 16' 18' 20'</p>
<p>2201 Bottom Rail</p>  <p>Available: 8' 10' 12' 14' 16' 18' 20'</p>	<p>2244 Bottom Rail</p>  <p>Available: 8' 10' 12' 14' 16' 18' 20'</p>

<p>2216 Vertical H Rail</p>  <p>Available: 8' 10' 12' 14' 16' 18' 20'</p>	<p>**3391 Vertical Side Rail</p>  <p>Available: 8' 10' 12' 14' 16' 18' 20' 24'</p>
<p>**3394 Horizontal Bottom Rail</p>  <p>Available: 8' 10' 12' 14' 16' 18' 20' 24'</p>	<p>**3396 Vertical H Rail</p>  <p>Available: 8' 10' 12' 14' 16' 18' 20' 24'</p>
<p>TBSG Bottom Guide w\Brackets & Door Stop</p>  <p>Use with 2244 or 3394 Bottom</p> <p>Available: 6', 8' 10'</p>	<p>R38T9 - Trolley</p>  <p>Use on Metal Doors up to 450 lbs. Ball Bearing w\9" adjustment bolt. Pkgd w\PB301EC End Caps.</p>
<p>**R32LB - Trolley</p>  <p>Use on Wood Doors up to 450 lbs. Ball Bearing w\ Door Straps for 1 3/4" to 2 3/4" thick Pkgd w\PB301EC End</p>	<p>PB121 - Jamb Latch</p>  <p>Specify PB121 - W for Wood Frame Doors.</p>

PB97S - Stay Roller



Used to hold sliding door against the wall. Adjustable for 1 3/4" to 3 3/4" doors. Pkgd w\ 4: #14 Flat Head Wood Screws.

PB128 - Center Latch



Cam action Center Latch used to secure split wood or metal doors.

PB127S - Chain Snugger



Used to secure wood or metal split doors

PB129 - Center Bar Snugger



Used to secure 3 1/2" split doors

****PB208 - Door Pull - 8"**



Zinc or White Door Pulls

PB207 - Door Pull - 7"



Zinc or White Door Pulls

BC85C - Center Door Guide



Heavy Duty center door guide for single or split doors. Ramp design for driving over without damaging tires. Pkgd w\ 2: #14 x 2 1/2" Lag Bolts.

PB66 - Door Stop



Heavy duty adjustable stop for doors up to 4 1/4".

PB65S - Door Stop



Door stop w\ stifferneer ribs for added strength. For doors up to 2 1/4". Pkgd w\ 3: 5/16" x 2" Lag Bolts.

PB63 - Jamb Mount Stop



1 3/4" Jamb mount stop; the door in both the open and closed positions.



LONG CREEK STEEL
28778 SUPERIOR PLACE
BERESFORD, SD 57044
PH: 605-372-3279
FAX: 605-372-3280
www.longcreeksteel.com