



LONG CREEK STEEL, LLC.

28778 SUPERIOR PLACE
BERESFORD, SD. 57004
OFFICE: 605-372-3279
FAX: 605-372-3280

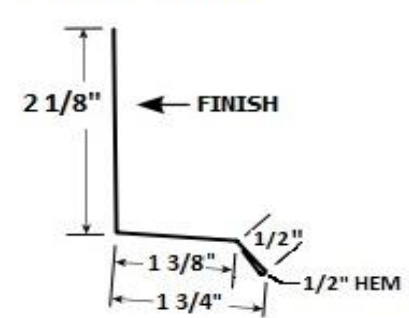
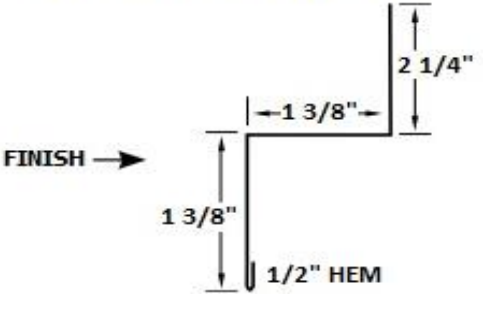
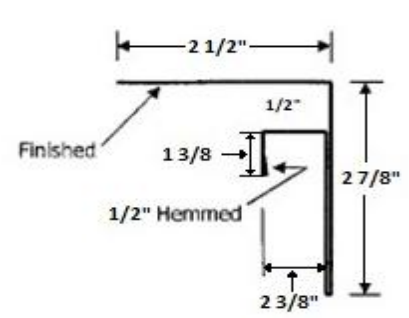
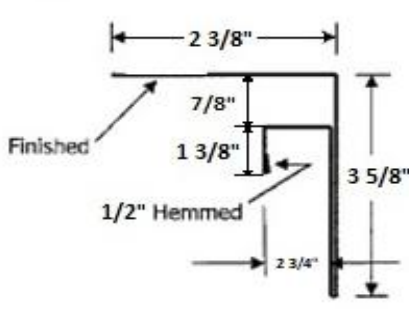
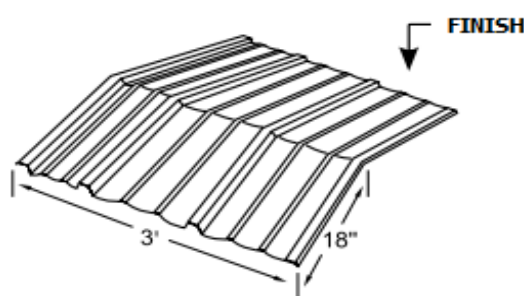
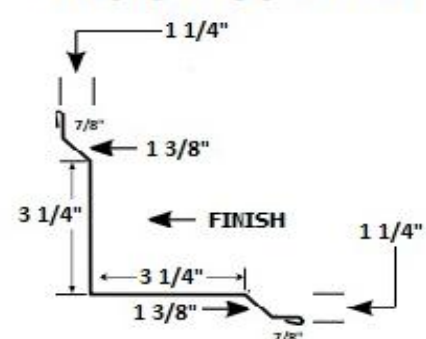
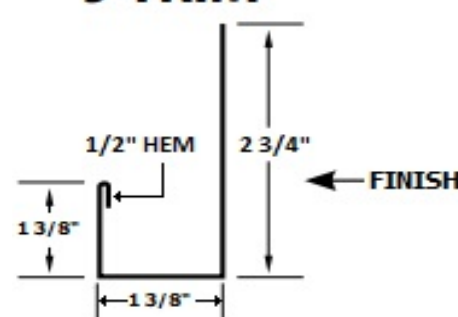
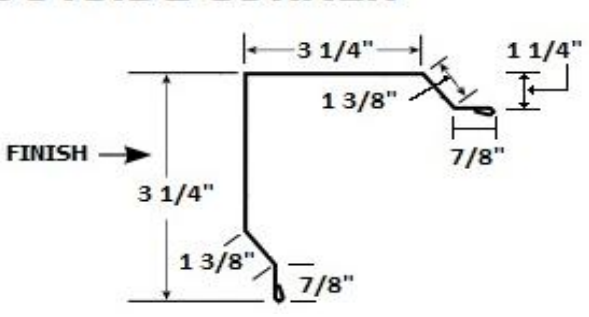


COMMERCIAL TRIM BOOKLET INDEX

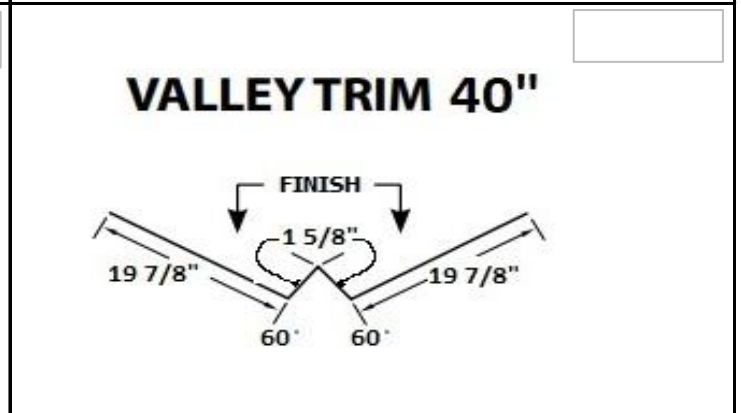
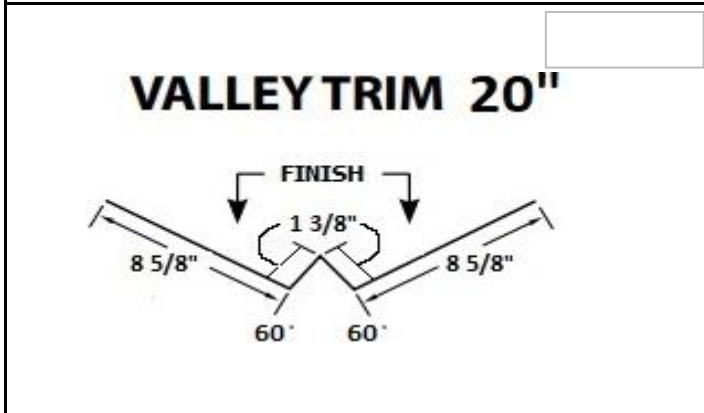
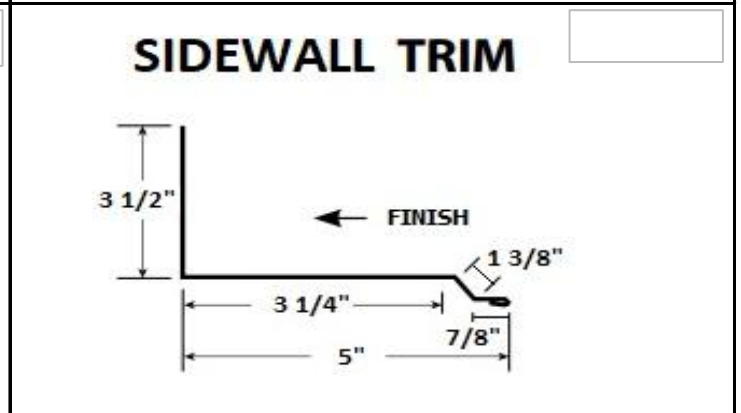
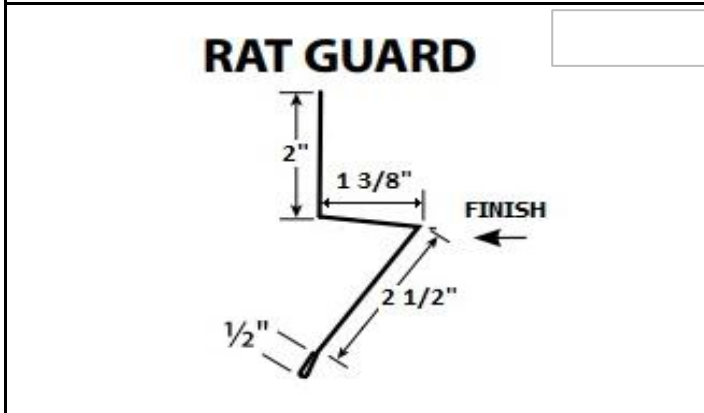
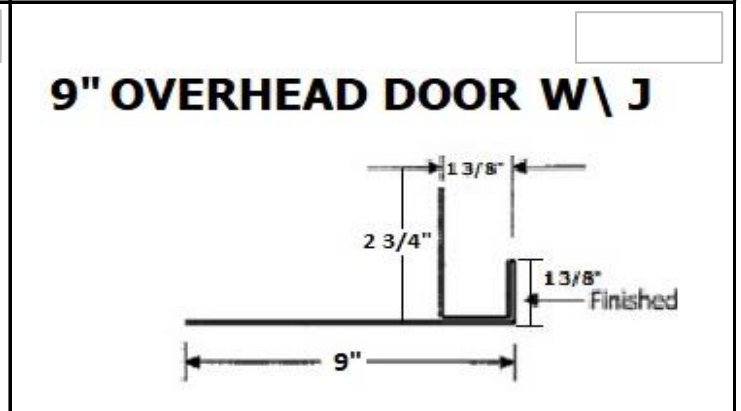
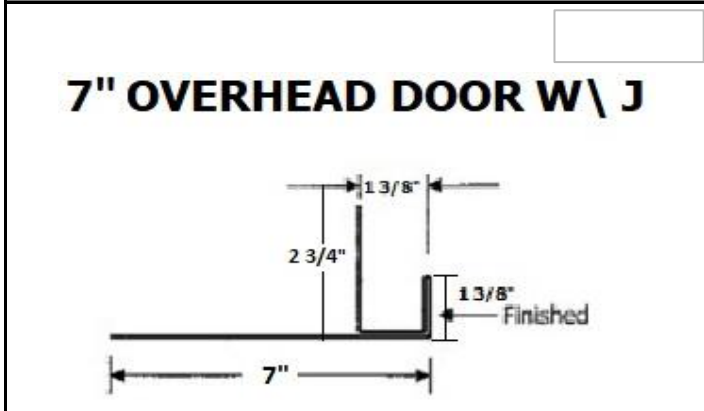
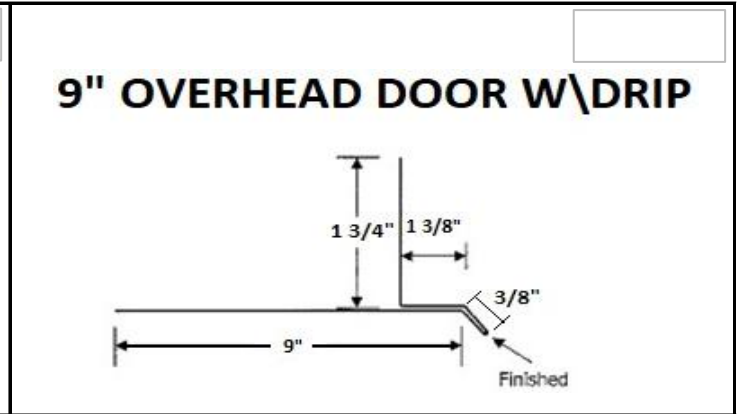
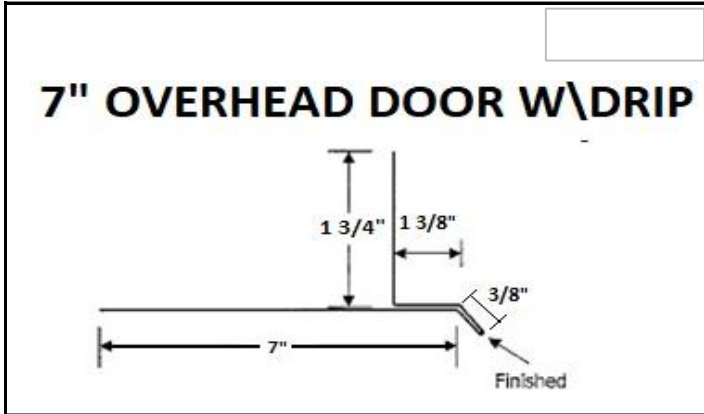
Base Trim.....	Page 2
Double Angle Trim	Page 2
Double J Trim 1/2".....	Page 2
Double J Trim 7/8".....	Page 2
Formed Ridge Cap 20".....	Page 2
Inside Corner.....	Page 2
J - Trim.....	Page 2
Outside Corner.....	Page 2
Overhead Door Trim w\Drip 7".....	Page 3
Overhead Door Trim w\Drip 9".....	Page 3
Overhead Door Trim w\ J 7".....	Page 3
Overhead Door Trim w\ J 9".....	Page 3
Rat Guard.....	Page 3
Sidewall Trim.....	Page 3
Valley Trim 20".....	Page 3
Valley Trim 40".....	Page 3

Stock Trim Length is 10'-3"

Custom Lengths Available Up to 20'-3"

<p>BASE TRIM</p>  <p>2 1/8" ← FINISH</p> <p>1 3/8" 1/2" 1/2" HEM</p> <p>1 3/4"</p>	<p>DOUBLE ANGLE</p>  <p>FINISH →</p> <p>1 3/8" 2 1/4" 1/2" HEM</p> <p>1 3/8"</p>
<p>1/2" DOUBLE J</p>  <p>Finished</p> <p>2 1/2" 1/2" 1 3/8" 2 7/8" 1/2" Hemmed 2 3/8"</p>	<p>7/8" DOUBLE J</p>  <p>Finished</p> <p>2 3/8" 7/8" 1 3/8" 3 5/8" 1/2" Hemmed 2 3/4"</p>
<p>FORMED RIDGE CAP</p>  <p>FINISH</p> <p>3' 18"</p>	<p>INSIDE CORNER</p>  <p>1 1/4" 7/8" 1 3/8" 3 1/4" ← FINISH 1 1/4" 3 1/4" 1 3/8" 7/8"</p>
<p>J-TRIM</p>  <p>1/2" HEM 2 3/4" ← FINISH</p> <p>1 3/8" 1 3/8"</p>	<p>OUTSIDE CORNER</p>  <p>FINISH →</p> <p>3 1/4" 1 3/8" 1 1/4" 7/8" 3 1/4" 1 3/8" 7/8"</p>

**** CUSTOM TRIMS OR VARIATIONS ON EXISTING TRIMS AVAILABLE ****



**** CUSTOM TRIMS OR VARIATIONS ON EXISTING TRIMS AVAILABLE ****