



RIDG-VENT®

- ◆ Over 100 colors available
- ◆ Large color palette to match most roll formers' metal panels
- ◆ All metal edges are hemmed for strength and easier handling
- ◆ No raw metal edges, so no more red rust staining your roof
- ◆ Use **MWI natural ventilation worksheet** to determine proper quantity of vents for either an attic or entire building ventilation system

RV

RV25
RV35/RV35F
RV100
RV400 & RV900

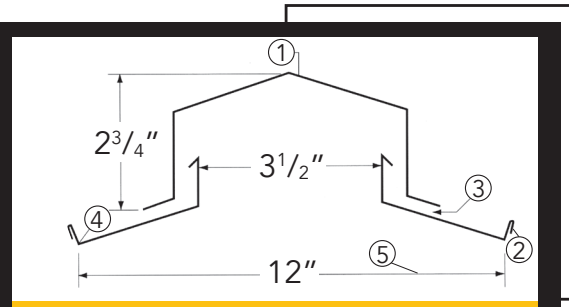
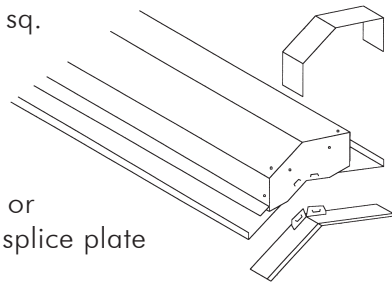
Ridg-Vent®
Part Number
(Overall Coverage)
Additional Flange Widths Available

RV100

RV100

Economy Ridg-Vent® | 10' long **low profile** ventilator

- ◆ Easily installed on residential or commercial roofing jobs
- ◆ Ideal for attic ventilation on garages, mini storage, etc.
- ◆ 3 1/2" unrestricted throat with 15 sq. inches of free area per lineal foot with totally covered top
- ◆ Designed to exhaust air out of attic space or an entire building; recommended to be used in a "clean" environment
- ◆ Use in conjunction with an equal area of vented soffit or louvers for maximum air flow (15 sq. in./lineal ft, 1.04 sq. ft./vent)
- ◆ Shipped 2 per carton with flashing for individual or continuous runs; splice plate included
- ◆ The patented "klix-on" flashing snaps in without any tools or fasteners



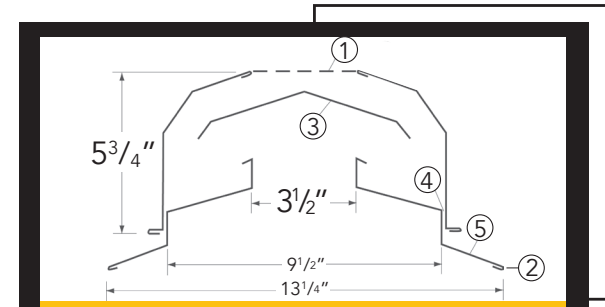
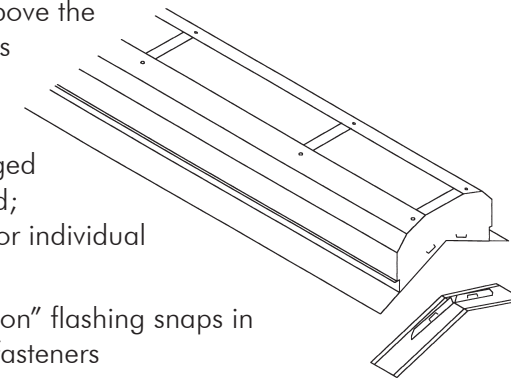
- ◆ Totally covered top
- ◆ Exposed edge hemmed on nailing flange
- ◆ 5/8" ventilation space each side
- ◆ Weep-holes for drainage
- ◆ 12" overall coverage

RV35

RV35

Ridg-Vent® | 10' long **low profile** ventilator

- ◆ Ideal for large attic or entire building ventilation such as horse, cattle or poultry buildings
- ◆ 3 1/2" unrestricted throat with 36 sq. inches of free area per lineal foot
- ◆ 13 1/4" overall coverage; wider flanges available
- ◆ Use in conjunction with an equal area of vented soffit or louvers for maximum air flow (36 sq. in./lineal ft, 2.5 sq. ft./vent)
- ◆ Rises only 4 1/2" above the ridge; all metal edges hemmed for strength and easier handling
- ◆ Individually packaged with flashing included; same flashing used for individual or continuous runs
- ◆ The patented "klix-on" flashing snaps in without any tools or fasteners



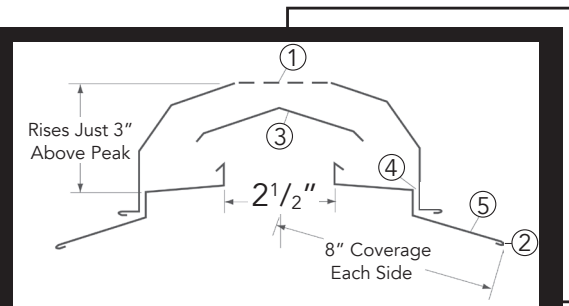
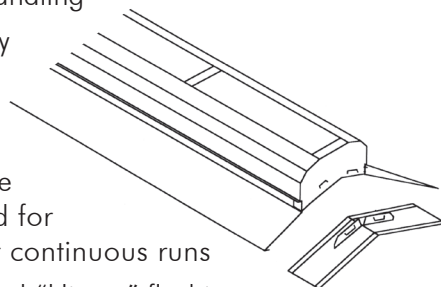
- ◆ 1/2" galvanized mesh
- ◆ All exposed edges hemmed
- ◆ Rain diverter (metal)
- ◆ Continuous drainage space
- ◆ 2" nailing flange

RV25

RV25

Ridg-Vent® | 10" long **low profile** ventilator

- ◆ 2 1/2" unrestricted throat with 30 sq. inches of free area per lineal foot
- ◆ Designed to exhaust air out of attic space or an entire building
- ◆ Use in conjunction with an equal area of vented soffit or louvers for maximum air flow (30 sq. in./lineal ft, 2.1 sq. ft./vent)
- ◆ Rises only 3" above the ridge; all metal edges hemmed for strength and easier handling
- ◆ Individually packaged with flashing included; same flashing used for individual or continuous runs
- ◆ The patented "klix-on" flashing snaps in without any tools or fasteners



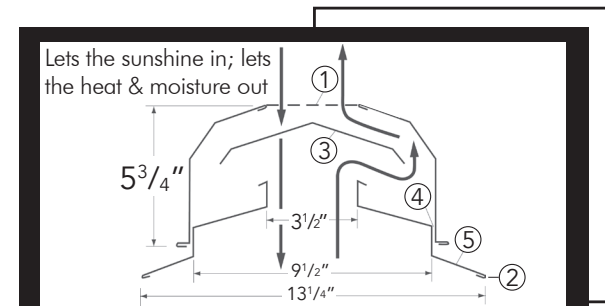
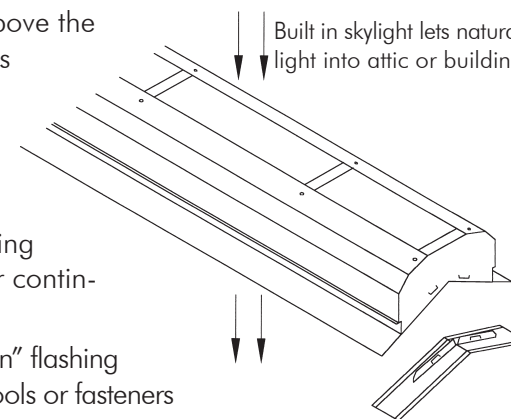
- ◆ 1/2" galvanized mesh
- ◆ All exposed edges hemmed
- ◆ Rain diverter (metal)
- ◆ Continuous drainage space
- ◆ 3 3/4" nailing flange

RV35F

RV35F

Ridg-Vent® | 10' long **low profile** ventilator | Clear fiberglass rain diverter

- ◆ Ideal for large attic or entire building ventilation such as horse, cattle or poultry buildings
- ◆ Clear fiberglass diverter lets sunshine in and keeps the elements out; fasteners through the fiberglass are slotted to allow expansion and contraction
- ◆ 3 1/2" unrestricted throat with 36 sq. inches of free area per lineal foot
- ◆ 13 1/4" overall coverage; wider flanges available
- ◆ Use in conjunction with an equal area of vented soffit or louvers for maximum air flow (36 sq. in./lineal ft, 2.5 sq. ft./vent)
- ◆ Rises only 4 1/2" above the ridge; all metal edges hemmed for strength and easier handling
- ◆ Individually packaged with flashing included; same flashing used for individual or continuous runs
- ◆ The patented "klix-on" flashing snaps in without any tools or fasteners



- ◆ 1/2" galvanized mesh
- ◆ All exposed edges hemmed
- ◆ Clear fiberglass rain diverter
- ◆ Continuous drainage space
- ◆ 2" nailing flange

RV400

Ridg-Vent® | 4' long high profile ventilator

4 Feet

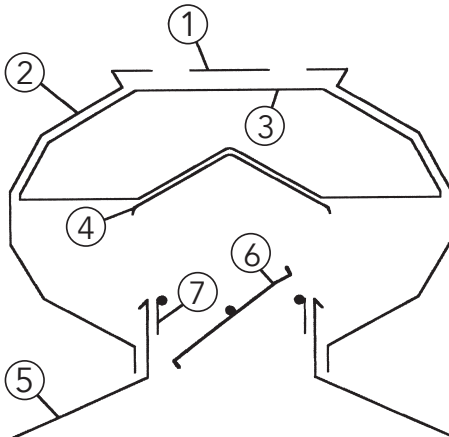
RV400
&
RV900

RV900

Ridg-Vent® | 10' long high profile ventilator

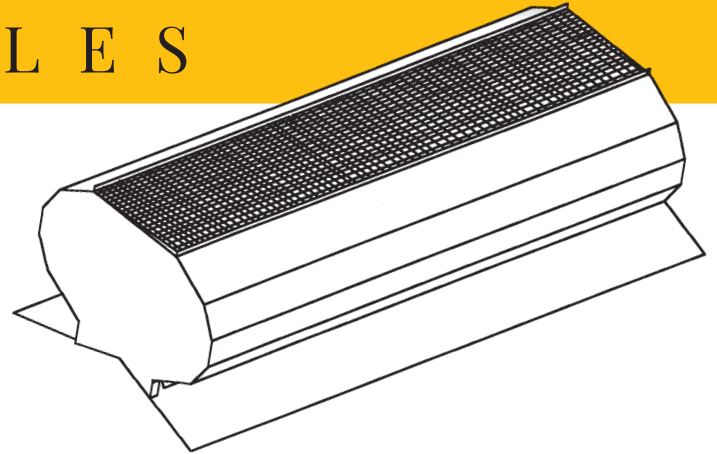
10 Feet

BOTH PROFILES



Damper rods: 5/16" plated steel

- ◆ 1 1/2" bird screen
- ◆ 2 Outer band
- ◆ 3 Top brace
- ◆ 4 Diverter
- ◆ 5 Lower band
- ◆ 6 Damper (optional) (10' cable included)
- ◆ 7 Weather seal

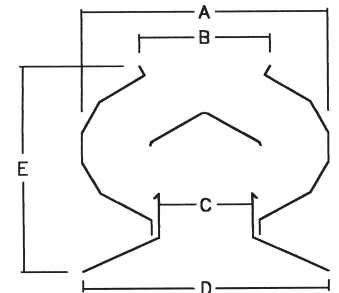


GET THE SPECS

MODEL #	THROAT SIZE	FREE AREA (Sq. Ft.)	STACK HEIGHT	CFM AT 15° TEMP. DIFF.	CFM AT 20° TEMP. DIFF.	CFM AT 25° TEMP. DIFF.
RV-400	9"	3	10'	550	680	765
	9"	3	20'	750	960	1070
	9"	3	30'	900	1170	1330
	9"	3	40'	1085	1350	1510
RV-900	9"	7 1/2	10'	1380	1550	1700
	9"	7 1/2	20'	1890	2150	2380
	9"	7 1/2	30'	2250	2680	2962
	9"	7 1/2	40'	2710	3070	3350

GET THE DIMENSIONS

MODEL	DIM. "A"	DIM. "B"	DIM. "C"	DIM. "D"	DIM. "E"	LENGTH
RV-400	21"	10"	9"	21"	13.25"	4'-0"
RV-900	21"	10"	9"	21"	13.25"	10'-0"



GET THE WEIGHTS

30 LBS. W/OUT DAMPER
33 LBS. WITH DAMPER

RV400 | RV900

WEIGHTS

78 LBS. W/OUT DAMPER
85 LBS. WITH DAMPER

Use MWI [natural ventilation worksheet](#) to determine proper quantity of vents for attic or entire building ventilation system