



LONG CREEK STEEL, LLC.



28778 SUPERIOR PLACE

BERESFORD, SD. 57004

OFFICE: 605-372-3279

FAX: 605-372-3280

www.longcreeksteel.com

BOARD & BATTEN TRIM BOOKLET INDEX

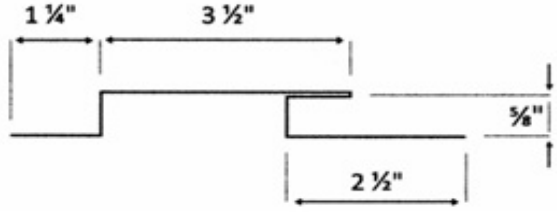
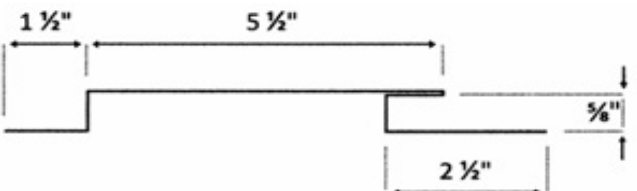
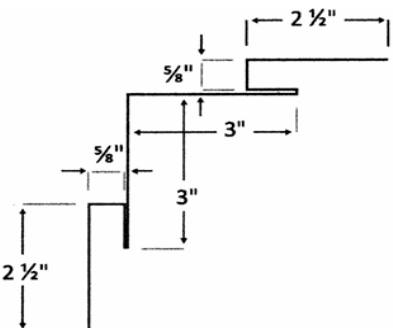

Board & Batten Double Cap & Base Trim.....	Page 2
Board & Batten Starter Strip.....	Page 2
Board & Batten Horizontal Base Trim	Page 2
Board & Batten Outside Corner.....	Page 2
Board & Batten Hem Trim.....	Page 2
Board & Batten Double Abgle Trim	Page 2
Board & Batten J-Trim	Page 2
Board & Batten Double J-Trim	Page 2
Board & Batten 3 1/2 Band Board	Page 3
Board & Batten 5 1/2 Band Board.....	Page 3
Board & Batten Inside Corner	Page 3

<p>B&B Double Cap & Base Trim <input type="checkbox"/></p>	<p>B&B Starter Strip <input type="checkbox"/></p>
<p>B&B Horizontal Base Trim <input type="checkbox"/></p>	<p>B&B Outside Corner <input type="checkbox"/></p>
<p>B&B Hem Trim <input type="checkbox"/></p>	<p>B&B Double Angle <input type="checkbox"/></p>
<p>B&B J-Trim <input type="checkbox"/></p>	<p>B&B Double J-Trim <input type="checkbox"/></p>

**** CUSTOM OR VARIATIONS ON EXISTING TRIMS AVAILABLE ****

Stock Trim Length is 10'-3"

Custom Lengths Available

<p>B&B 3 1/2 Band Board</p>  <p>1 1/4" 3 1/2" 2 1/2" 5/8"</p>	<p>B&B 5 1/2 Band Board</p>  <p>1 1/2" 5 1/2" 2 1/2" 5/8"</p>
<p>B&B Inside Corner</p>  <p>2 1/2" 3" 3" 5/8" 5/8" 2 1/2"</p>	

**** CUSTOM OR VARIATIONS ON EXISTING TRIMS AVAILABLE ****