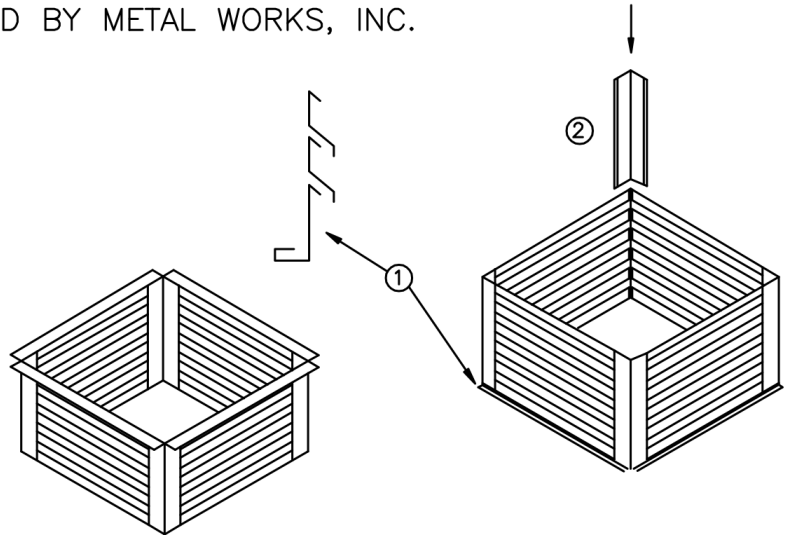


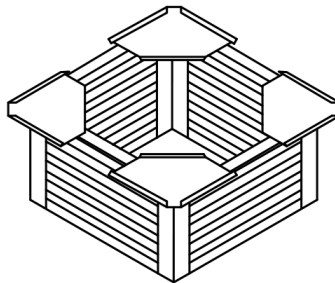
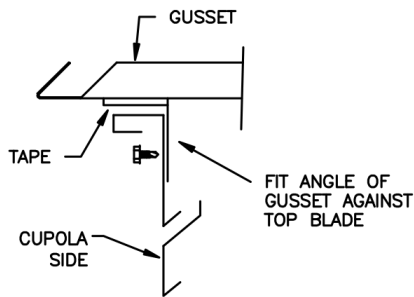


LOUVER AND WINDOW
CUPOLA ASSEMBLY INSTRUCTIONS
MANUFACTURED BY METAL WORKS, INC.

- ① SET SIDE SECTIONS WITH TOP CONNECTOR FLANGE DOWN.
- ② SLIDE FOUR (4) CORNER CONNECTORS ON SIDES TO ASSEMBLE. TAP IN PLACE WITH Mallet IF NECESSARY.
- ③ SET SIDE SECTION WITH TOP CONNECTOR FLANGE UP.

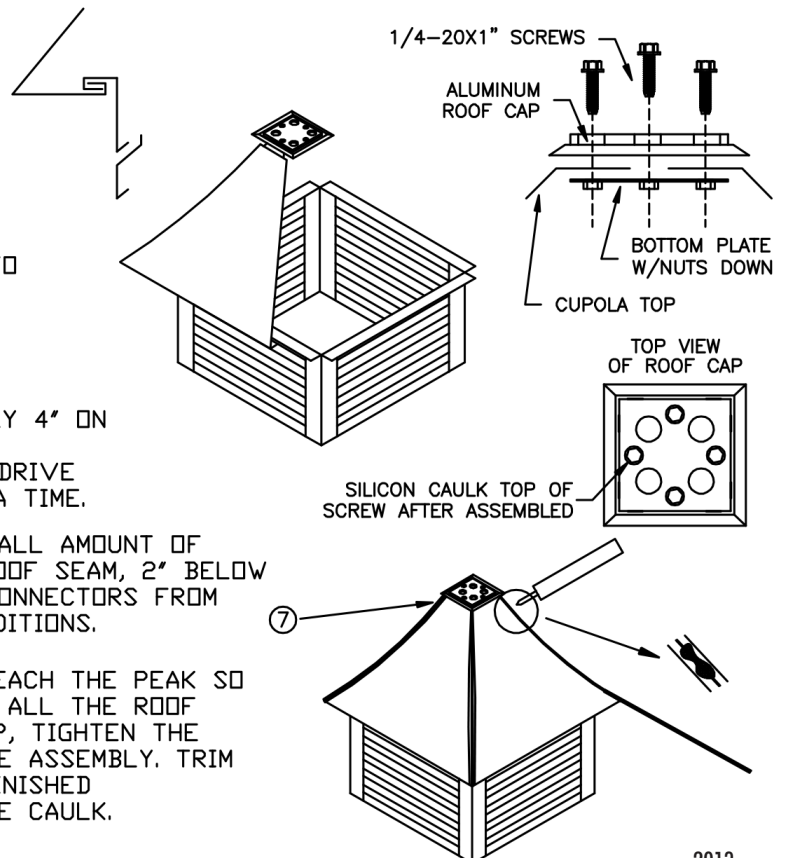


36" AND 48" ONLY



TO INSURE A STRUCTURALLY SOUND PRODUCT, WE INCLUDE (4) GUSSET PLATES WITH THE 36" AND 48" ROOF SECTIONS. EACH GUSSET HAS "VHB" TAPE ON THE BOTTOM SIDE. REMOVE THE FILM FROM TAPE AND POSITION GUSSET IN EACH CORNER OF SIDE ASSEMBLY AS SHOWN. APPLY PRESSURE TO THE TOP SIDE OF EACH GUSSET SO TAPE CAN ADHERE TO SIDE SECTION. TAPE WILL ADHERE IN APPROX. 5 MIN. DURING ASSEMBLY.

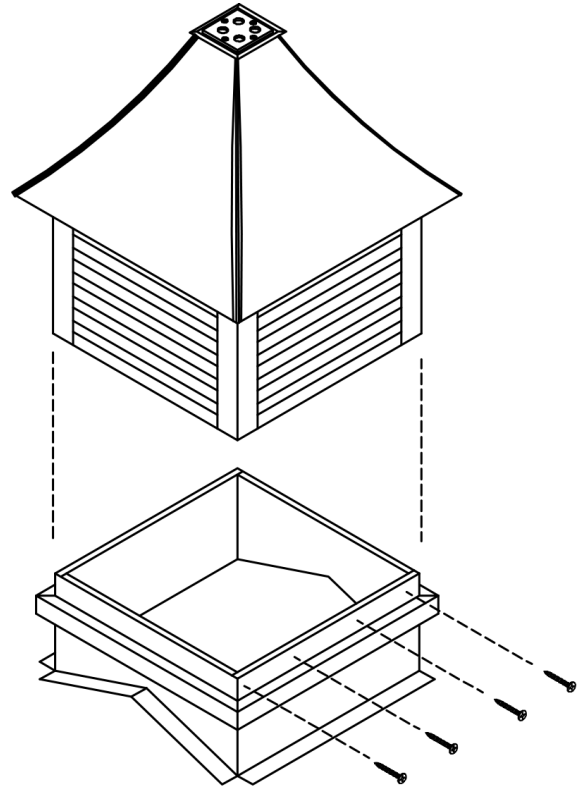
- ④ ATTACH ROOF CAP AND BOTTOM PLATE TO ONE ROOF SECTION WITH 1/4-20 X 1.5" SCREW, FINGER TIGHT. SLIDE ROOF SECTION INTO THE TOP CONNECTOR FLANGE OF ONE OF THE SIDE PANELS.
- ⑤ SLIDE THE NEXT ROOF SECTION INTO PLACE FROM LEFT TO RIGHT. THE MITERED EDGE SHOULD BE EXPOSED FROM THE UNDERSIDE TO GIVE A FINISHED APPEARANCE. THE TOP OF EACH ROOF SECTION SLIDES BETWEEN THE ROOF CAP AND BOTTOM PLATE AND IS FASTENED IN PLACE.
- ⑥ START EACH ROOF CONNECTOR APPROXIMATELY 4" ON EACH CORNER. CONTINUE TO TAP EACH ROOF CONNECTOR ON WITH A Mallet OR HAMMER. DRIVE EACH CONNECTOR APPROXIMATELY 4"-6" AT A TIME.
- ⑦ WE RECOMMEND THE ASSEMBLER APPLY A SMALL AMOUNT OF SILICONE CAULK ON BOTH SIDES OF EACH ROOF SEAM, 2" BELOW THE ROOF CAP. THIS PREVENTS THE ROOF CONNECTORS FROM SLIDING DOWN THE SEAM IN HIGH WIND CONDITIONS.
- ⑧ LIFT UP ON CAP WHEN ROOF CONNECTORS REACH THE PEAK SO ROOF CONNECTORS SLIDE UNDER CAP. AFTER ALL THE ROOF CONNECTORS ARE DRIVEN UP UNDER THE CAP, TIGHTEN THE SCREWS ON THE ROOF CAP TO COMPLETE THE ASSEMBLY. TRIM THE ROOF CONNECTORS OFF TO CREATE A FINISHED APPEARANCE. SEAL ROOF CAP USING SILICONE CAULK.





LOUVER AND WINDOW
 CUPOLA INSTALLATION INSTRUCTIONS
 MANUFACTURED BY METAL WORKS, INC.

- ① POSITION THE CUPOLA TO THE UNIVERSAL BASE OR CURB.
- ② ATTACH USING SHEET METAL SCREWS.



WEATHER VANE INSTALLATION (IF APPLICABLE)

- ① FILL $\phi 3/4"$ FASTENING AREA OF ROOF CAP WITH SILICONE CAULK BEFORE FASTENING FLANGE BASE.
- ② MOUNT WEATHER VANE FLANGE BASE TO ROOF CAP.
- ③ ASSEMBLE WEATHER VANE MAST TO FLANGE BASE PER ILLUSTRATION BELOW. HOLDING MAST VERTICAL, (90°), FIRMLY TIGHTEN NUT/BOLT OF BASE ASSEMBLY.

